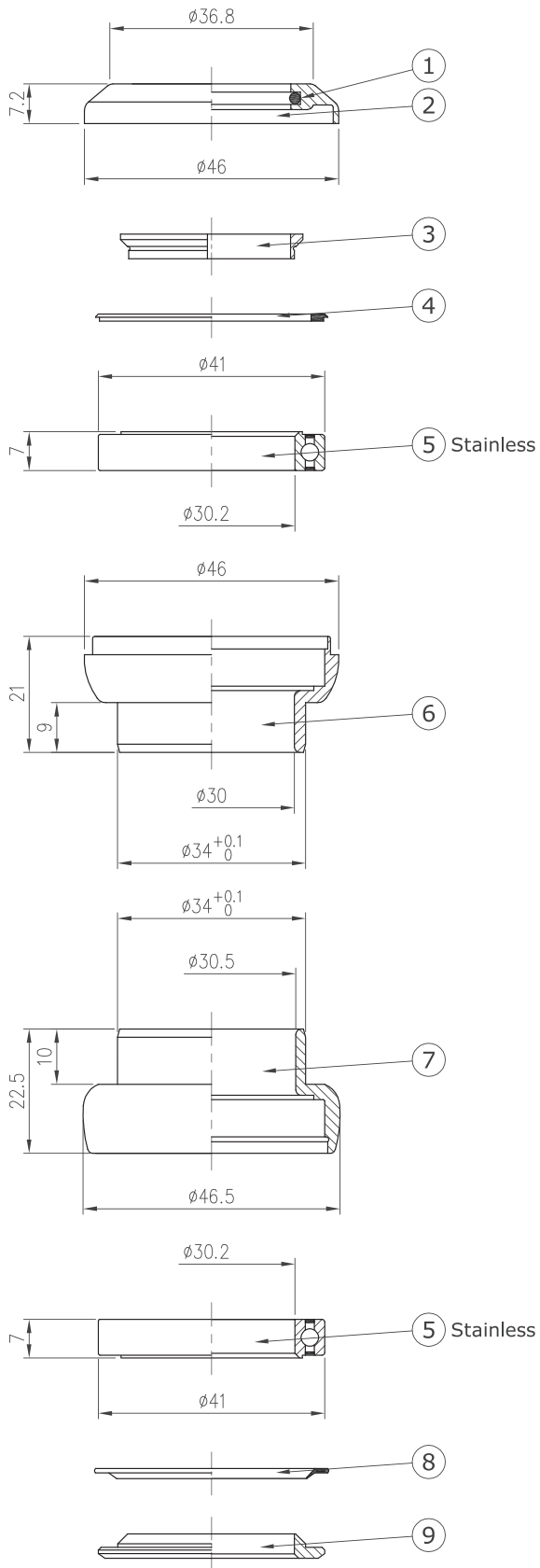


Threadless Headset

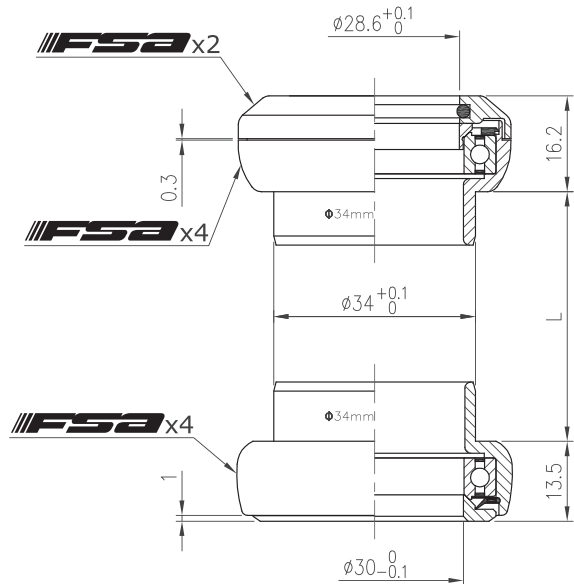
Orbit Xtreme Pro

NO.12

1-1/8", Industrial bearing



- 1-1/8" steerer
- Alloy top cover
- Forged and CNC machined alloy cups
- Stainless industrial cartridge sealed bearing
- Alloy Crown Race



Stack Height $16.2 + 13.5 = 29.7$



Weight - 95 grams

No	Item No	Material	Qty
⑨	H6012{NO.12-6}	Alloy	1PCS
⑧	MS087{NO.12}	Steel w/ rubber sealed	1PCS
⑦	H5037{NO.12-5}	Alloy	1PCS
⑥	H4065{NO.12-4}	Alloy	1PCS
⑤	MR062{874S-2RS}	Stainless	2SETS
④	MS018{800-4-6}	Rubber	1PCS
③	H2096{NO.12-2}	Alloy	1PCS
②	H3067{NO.12-3}	Alloy	1PCS
①	MS053{872}	Rubber	1PCS

