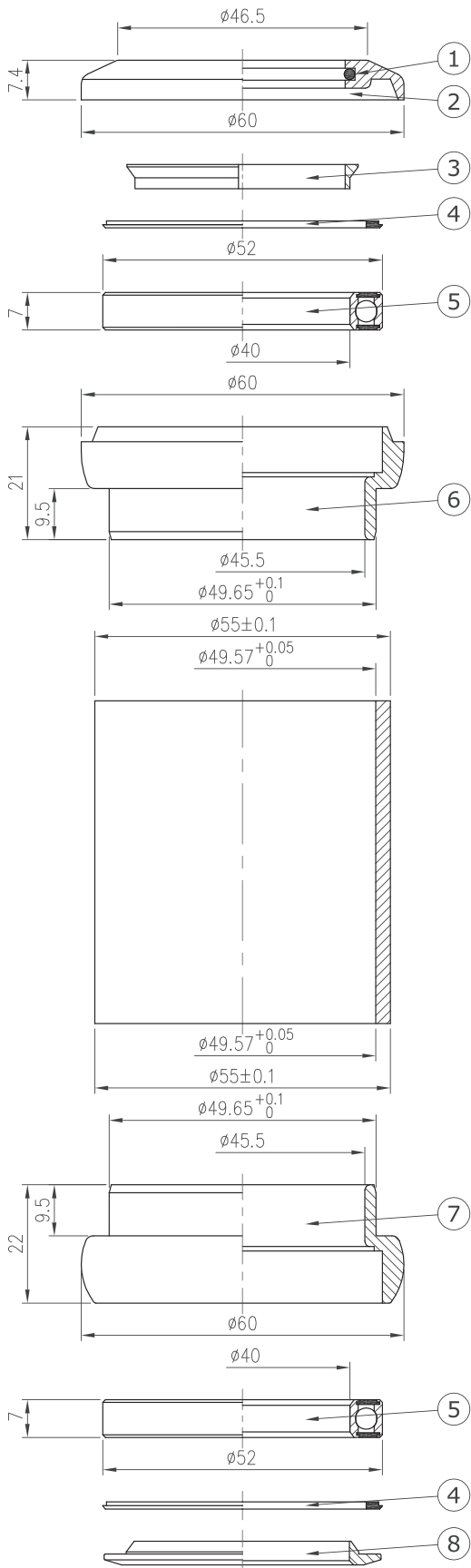


# Threadless Headset

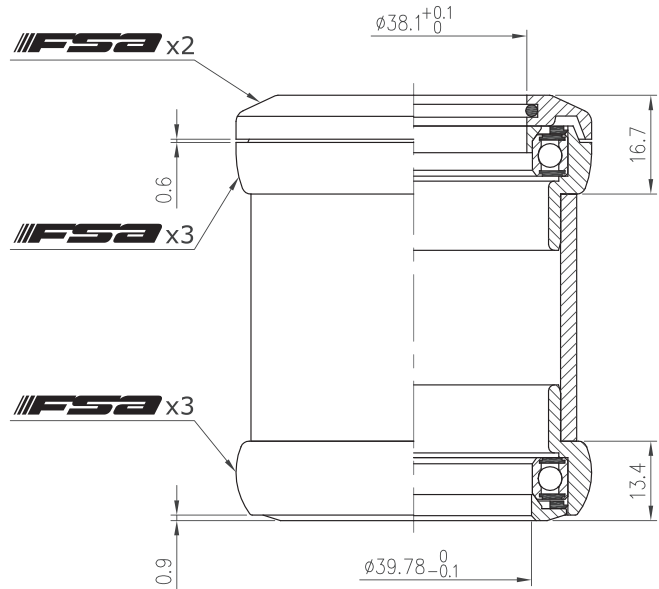
## Orbit Xtreme Pro 1.5"

### NO.12B

1.5", Industrial bearing



- For 55mm OD head tube
- 1.5" steerer
- 9.5mm headtube insertion
- Forged and CNC machined alloy cups
- Industrial cartridge sealed bearing
- Alloy Crown Race



Stack Height  $16.7 + 13.4 = 30.1$



Weight - 150 grams

No	Item No	Material	Qty
⑧	H6049{NO.12B-6}	Alloy	1PCS
⑦	H5053{NO.12B-5}	Alloy	1PCS
⑥	H4079{NO.12B-4}	Alloy	1PCS
⑤	MR069{6808-2RS}	Chrome steel	2SETS
④	MS110{NO.12B}	Rubber	2PCS
③	H2111{NO.12B-2}	Alloy	1PCS
②	H2110{NO.12B-2}	Alloy	1PCS
①	MS178{NO.12B}	Rubber	1PCS

