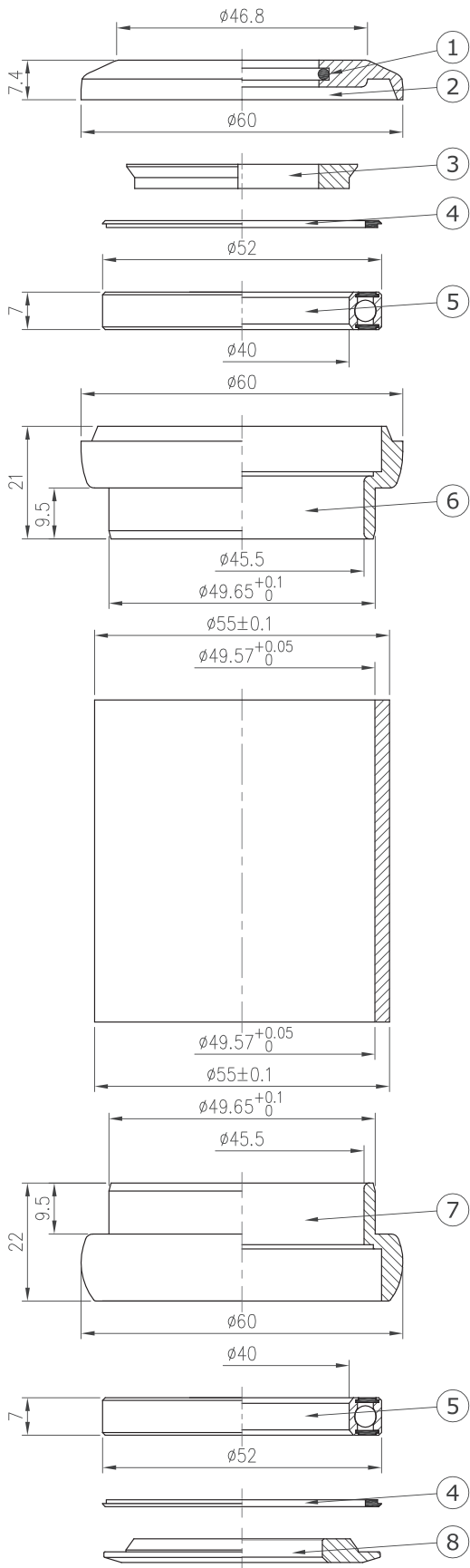


Threadless Headset

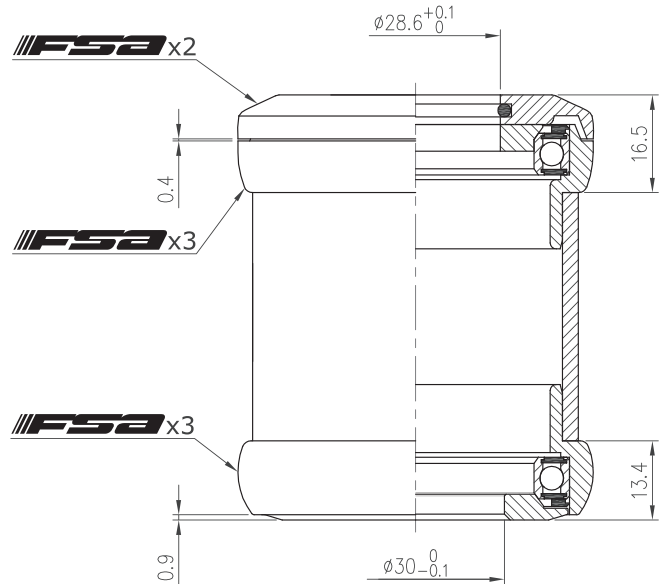
Orbit Xtreme Pro 1.5R

NO.12BY

1-1/8", Industrial bearing



- For 55mm OD head tube
- For 1.5" sized head tube and 1-1/8" steerer
- Alloy top cover
- 9.5mm headtube insertion
- Forged and CNC machined alloy cups
- Industrial cartridge sealed bearing



Stack Height 16.5+13.4=29.9



Weight - 174 grams

No	Item No	Material	Qty
⑧	H6059{NO.12BY-6}	Alloy	1PCS
⑦	H5053{NO.12B-5}	Alloy	1PCS
⑥	H4079{NO.12B-4}	Alloy	1PCS
⑤	MR069{6808-2RS}	Chrome steel	2SETS
④	MS110{NO.12B}	Rubber	2PCS
③	H2137{NO.12BY-2}	Alloy	1PCS
②	H2130{NO.12BY-2}	Alloy	1PCS
①	MS053{872}	Rubber	1PCS

