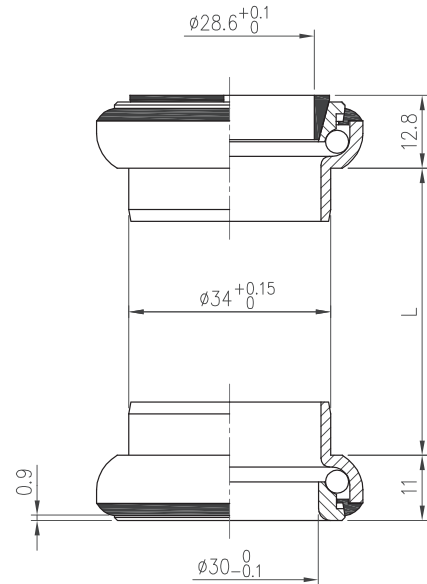
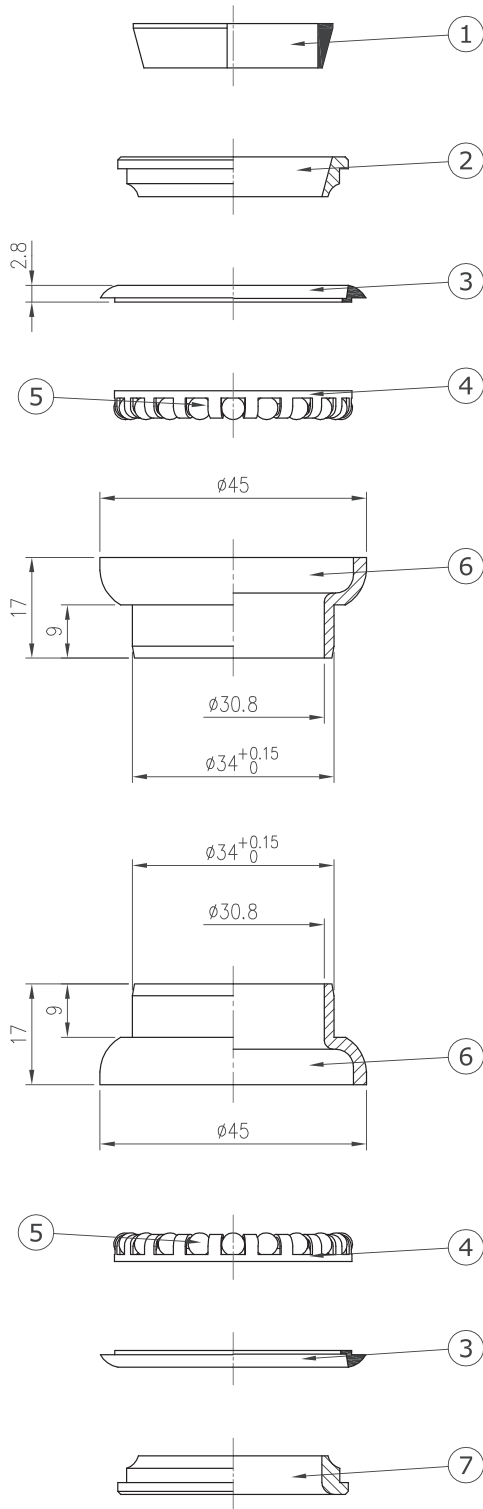


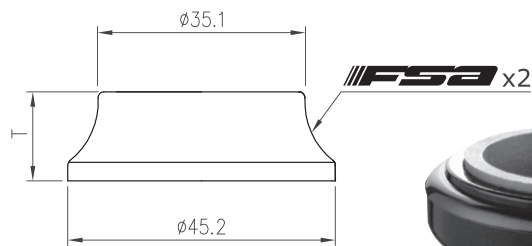
Threadless Headset

TH-888

1-1/8", Retainer bearings



Stack Height 12.8+11=23.8



Custom cone spacer		
Item No	T	Stack Height
H2104A	10mm	30.3mm
H2104B	15mm	35.3mm



Weight - 109 grams

- 1-1/8" steerer
- Forged steel cups
- $\Phi 5/32$ "x20 retainer bearings

No	Item No	Material	Qty
⑦	H6010{850-6}	Steel	1PCS
⑥	H4035{B52-4-5}	Steel	2PCS
⑤	MR001{ $\Phi 5/32$ "}	Chrome steel	40PCS
④	MR013{ $\Phi 5/32$ "x20}	Steel	2PCS
③	MS005{850-6}	ABS	2PCS
②	H3071{888-3}	Steel	1PCS
①	H2040{888-2}	Nylon	1PCS

