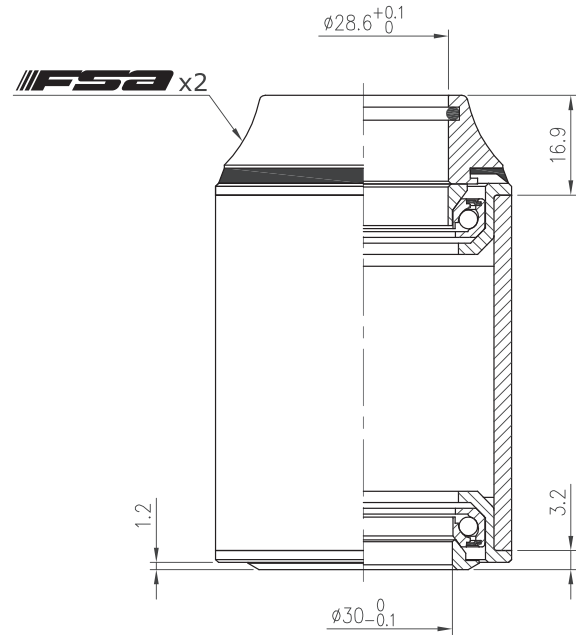
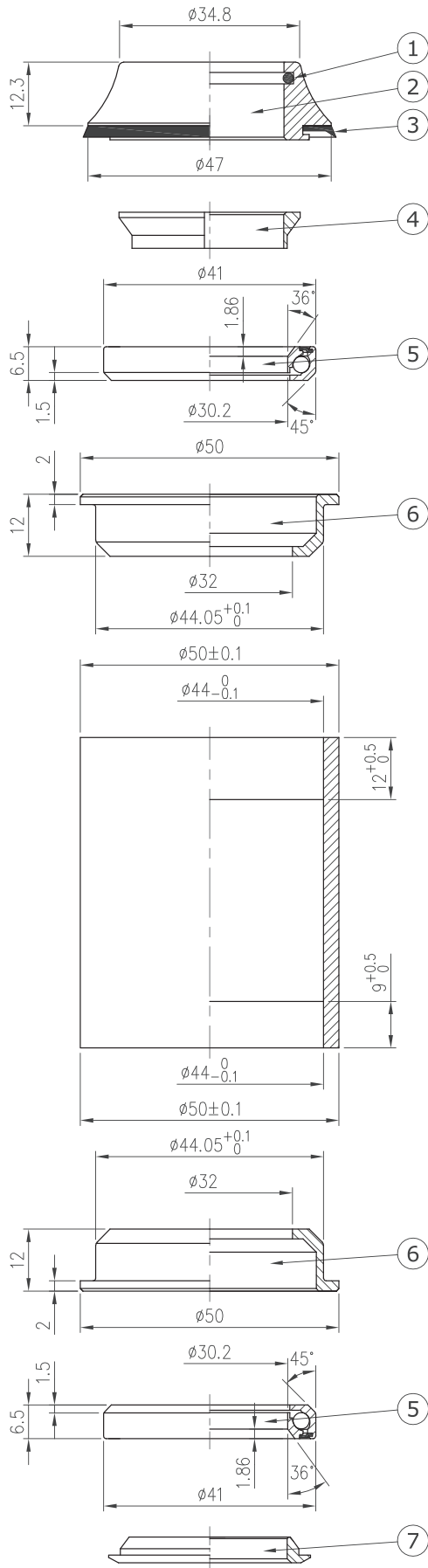


Internal Headset (CC)

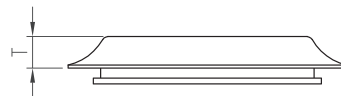
Orbit Z

NO.9M/CUP/CC

1-1/8", 36°/ 45° ACB, Deeper cups



Stack Height 16.9+3.2=20.1



Custom cone spacer		
Item No	T	Stack Height
H2051C	3.3mm	11.1mm
H2051A	5.3mm	13.1mm
H2051J	8.2mm	16mm
H2051G	17.3mm	25.1mm
H2051E	22.3mm	30.1mm
H2051H	27.3mm	35.1mm



Weight - 88.6 grams

- For 50mm OD head tube
- 1-1/8" steerer
- Alloy top cover
- Alloy or steel deeper cups
- Angular Contact Bearing (Black seal)

No	Item No	Material	Qty
⑦	H6011{866-6}	Alloy	1PCS
⑥	H4098-T	Steel	2PCS
	H4098	Alloy	
⑤	MR122{873E-RS}	Chrome steel	2SETS
④	H2036{NO.5-2}	Alloy	1PCS
③	MS073	Rubber	1PCS
②	H2051B	Alloy	1PCS
①	MS053{872}	Rubber	1PCS

