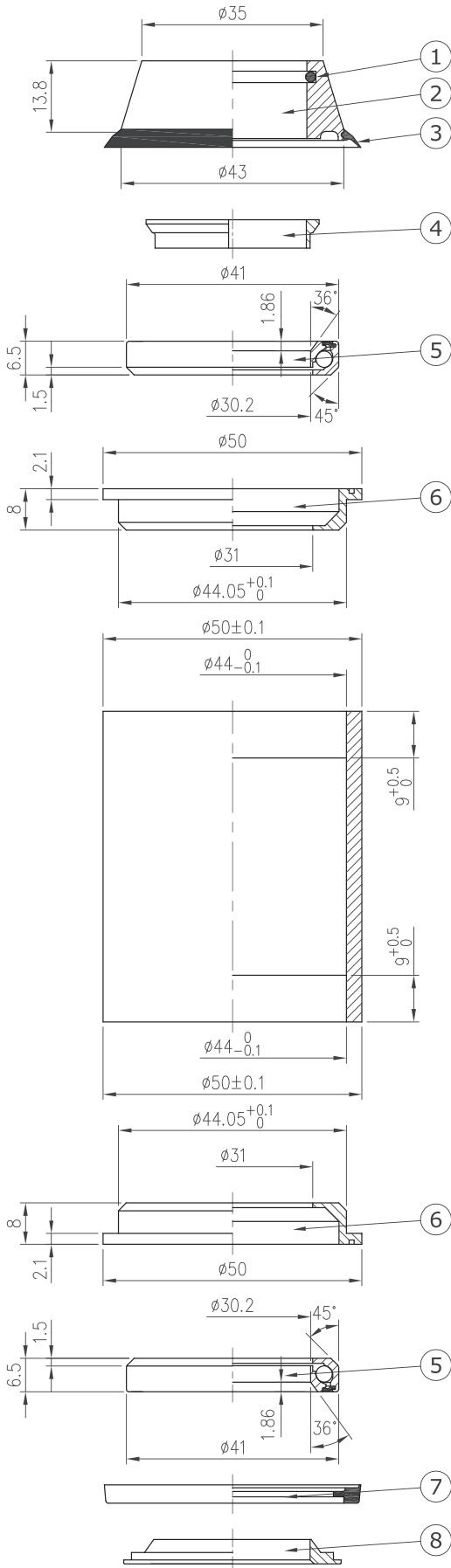


Internal Headset (CC)

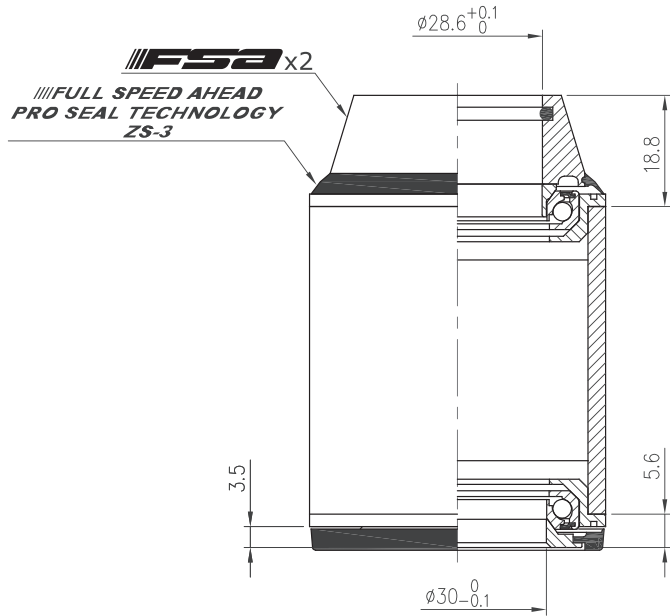
Orbit ZS

ZS-3

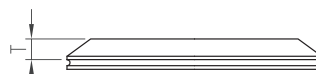
1-1/8", 36°/ 45° ACB



- For 50mm OD head tube
- 1-1/8" steerer
- Alloy top cover
- Alloy or steel deeper cups
- Angular Contact Bearing (Black seal)



Stack Height 18.8+5.6=24.4



Custom cone spacer		
Item No	T	Stack Height
H2090A	3.5mm	14.1mm
H2090D	18.8mm	30.2mm
H2090F	28.8mm	40.2mm



Weight - 93.8 grams

No	Item No	Material	Qty
⑧	H6053{ZS-3-6}	Steel	1PCS
⑦	MS144	Steel w/ rubber sealed	1PCS
⑥	H4101{ZS-2-1-1/8"}-T	Steel	2PCS
	H4101{ZS-2-1-1/8"}	Alloy	
⑤	MR122{873E-RS}	Chrome steel	2SETS
④	H2048{WCS-1-1/8"-2}	Alloy	1PCS
③	MS098{ZS-3-1-1/8"}	P.P	1PCS
②	H2090C{ZS-3-2}	Alloy	1PCS
①	MS053{872}	Rubber	1PCS

