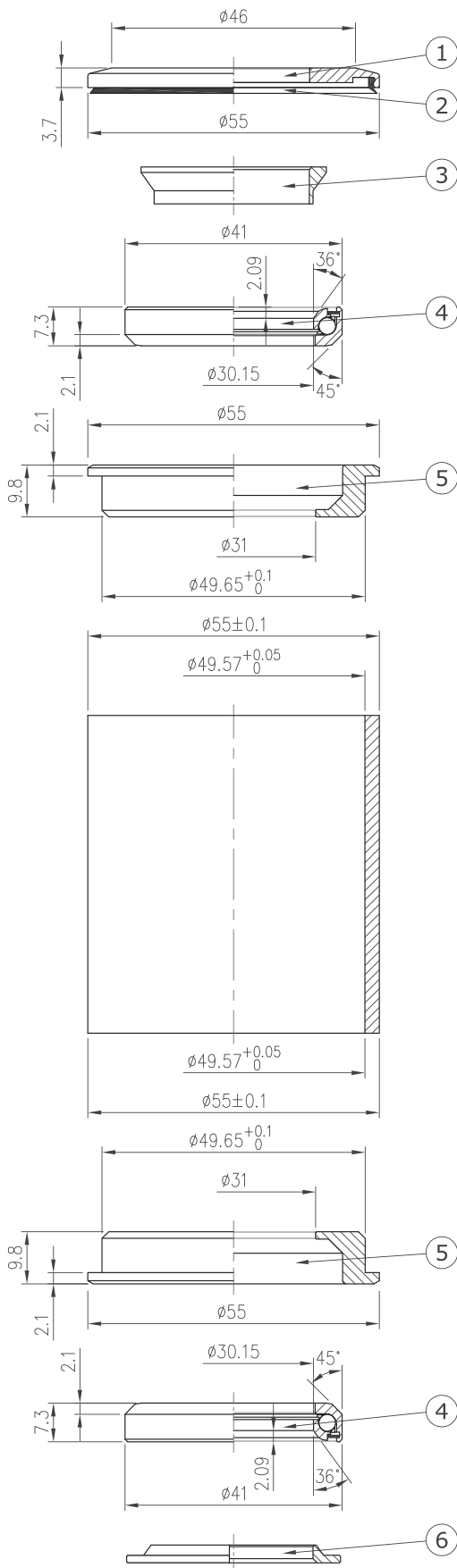


Internal Headset (CC)

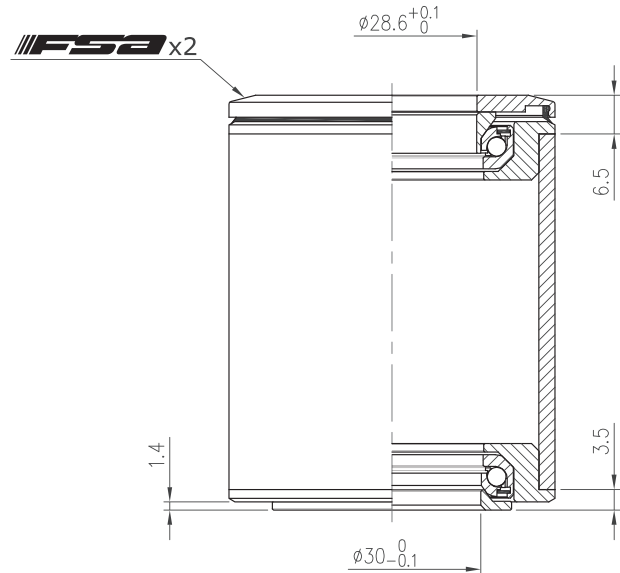
Orbit Z 1.5R

NO.9M/CUP/CC 1.5R

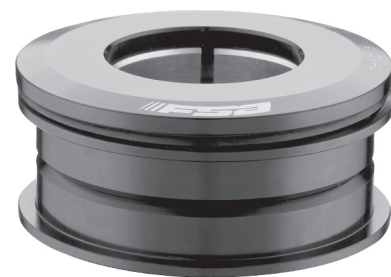
1-1/8", 36°/ 45° ACB



- For 55mm OD head tube
- For 1.5" sized head tube and 1-1/8" steerer
- Alloy top cover
- Alloy or steel deeper cups
- Angular Contact Bearing (Black seal)



Stack Height 6.5+3.5=10



Weight - 140 grams

No	Item No	Material	Qty
⑥	H6036{NO.26G-6}	Alloy	1PCS
⑤	H4104{Orbit Z 1.5}-T	Steel	2PCS
	H4104{Orbit Z 1.5}	Alloy	
④	MR040{873/DJ-RS}	Chrome steel	2SETS
③	H2036{NO.5-2}	Alloy	1PCS
②	MS194{NO.9M/CUP/CC/1.5R}	Steel w/ rubber sealed	1PCS
①	H2232A{NO.9M/CUP/CC/1.5R-2}	Alloy	1PCS

