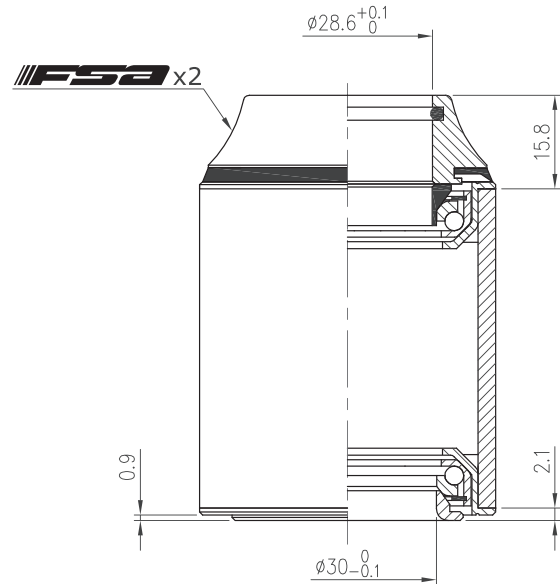
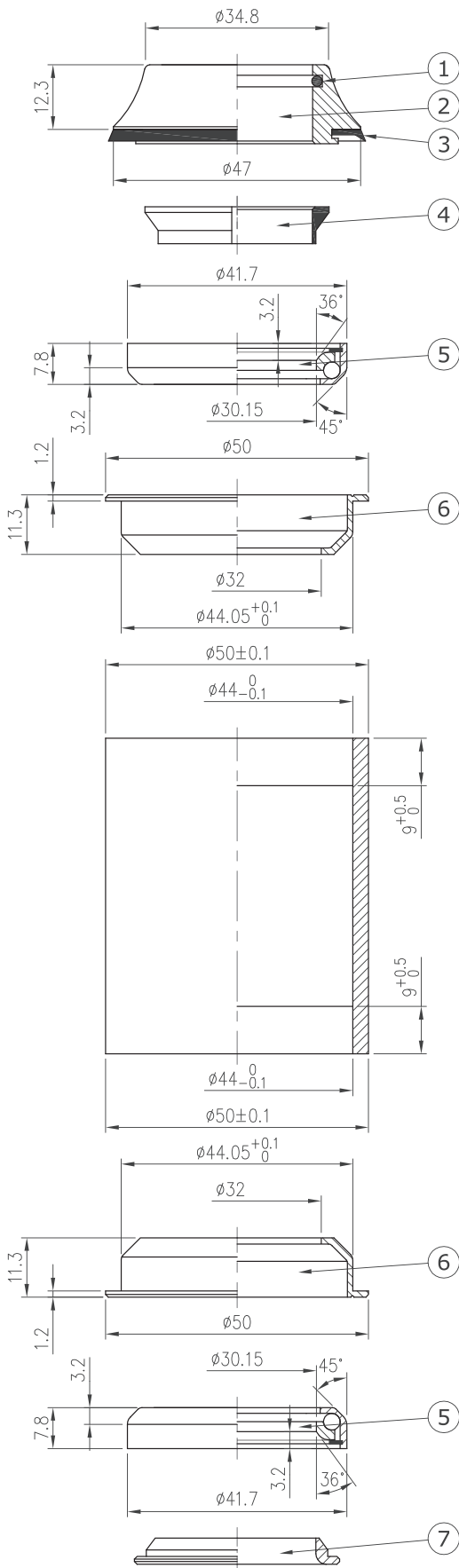


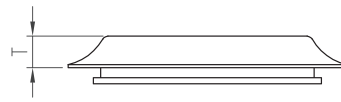
# Internal Headset (CC)

## ZS-4D

1-1/8", 36°/ 45° Economic ACB



Stack Height 15.8+2.1=17.9



Custom cone spacer		
Item No	T	Stack Height
H2051C	3.3mm	8.9mm
H2051A	5.3mm	10.9mm
H2051J	8.2mm	13.8mm
H2051G	17.3mm	22.9mm
H2051E	22.3mm	27.9mm
H2051H	27.3mm	32.9mm



Weight - 162.2 grams

- For 50mm OD head tube
- 1-1/8" steerer
- Alloy top cover
- Angular Contact Bearing (Black seal)

No	Item No	Material	Qty
⑦	H6018{B-53-6}	Steel	1PCS
⑥	H4105{ZS-4D-4~5}	Steel	2PCS
⑤	MR075{TH-800}	Chrome steel	2SETS
④	H2036{NO.5-2}	Nylon	1PCS
③	MS073	Rubber	1PCS
②	H2051B	Alloy	1PCS
①	MS053{872}	Rubber	1PCS

