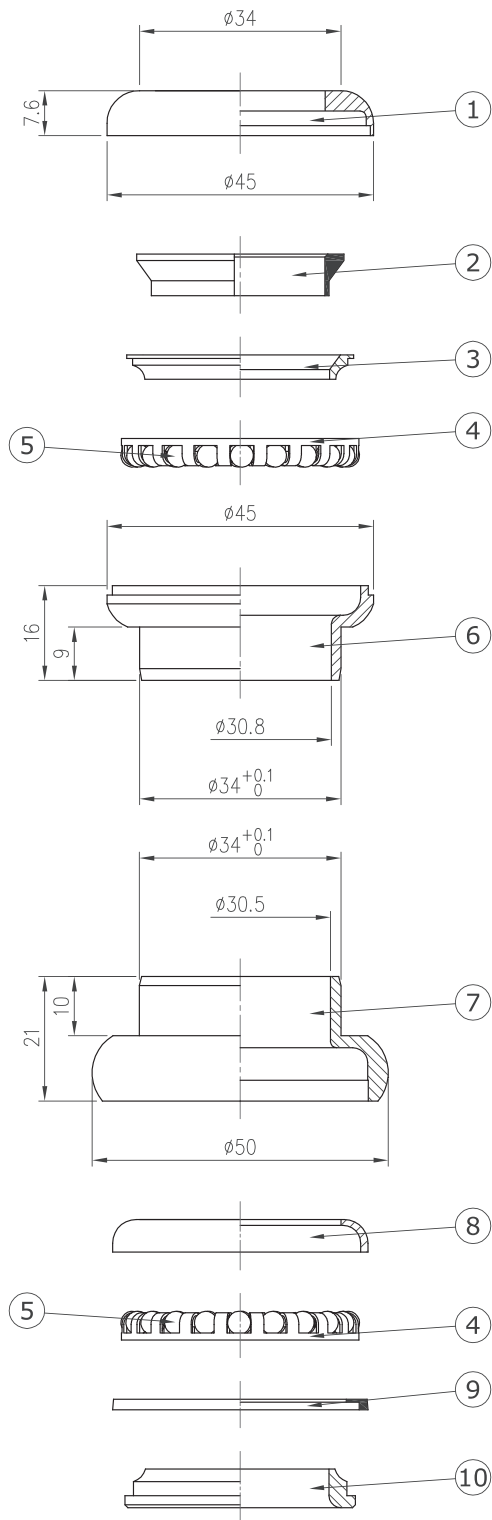


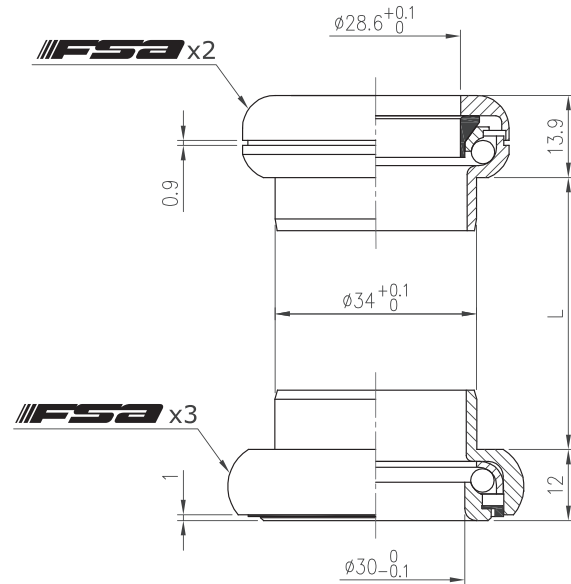
Threadless Headset

TH-857

1-1/8", Retainer bearings



- 1-1/8" steerer
- Alloy top cover
- Forged steel upper cup
- Forged and CNC machined lower cup
- $\Phi 5/32$ "x20 retainer bearings



Stack Height $13.9+12=25.9$



Weight - 127 grams

No	Item No	Material	Qty
⑩	H6010{850-6}	Steel	1PCS
⑨	MS020{865-4-6}	Rubber	1PCS
⑧	H7012{860-5}	CrMo	1PCS
⑦	H5022{865-5}	Alloy	1PCS
⑥	H4058{857-4}	Steel	1PCS
⑤	MR001{ $\Phi 5/32$ "}	Chrome steel	40PCS
④	MR013{ $\Phi 5/32$ "x20}	Steel	2PCS
③	H7017{B-53}	CrMo	1PCS
②	H2036{NO.5-2}	Nylon	1PCS
①	H2061A	Alloy	1PCS

FSA