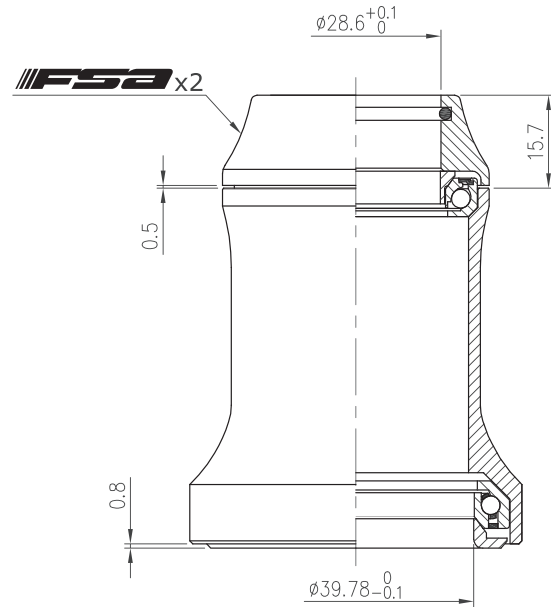
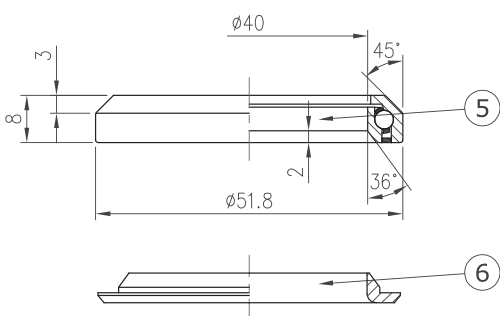
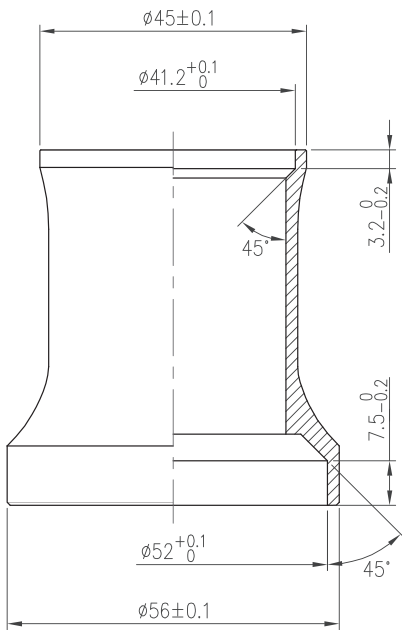
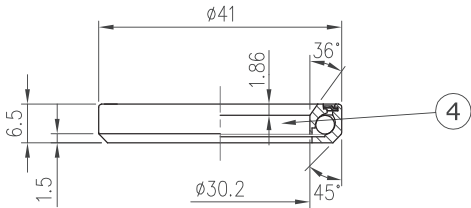
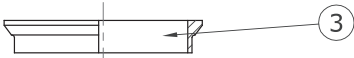
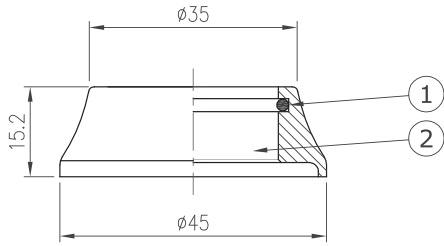


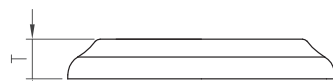
Integrated Headset (CC)

IS-2/42/ACB

1-1/8", 1.5", 36°/ 45° ACB



Stack Height 15.7+0.8=16.5



Custom cone spacer		
Item No	T	Stack Height
H2271A	6.7mm	8mm
H2271F	9mm	10.3mm
H2271C	20mm	21.3mm
H2271D	25mm	26.3mm



Weight - 78.5 grams

- For 45mm / 56mm OD head tube
- For 1-1/8" to 1.5" tapered fork
- Alloy top cover
- Upper : Angular Contact Bearing (Black seal)
- Lower : 1.5" Angular Contact Bearing (Black seal)

No	Item No	Material	Qty
⑥	H6083{NO.42/ACB-6}	Alloy	1PCS
⑤	MR127{073E-RS}	Chrome steel	1SET
④	MR122{873E-RS}	Chrome steel	1SET
③	H2048{WCS-1-1/8"-2}	Alloy	1PCS
②	H2271B{IS-2-2}	Alloy	1PCS
①	MS053{872}	Rubber	1PCS

