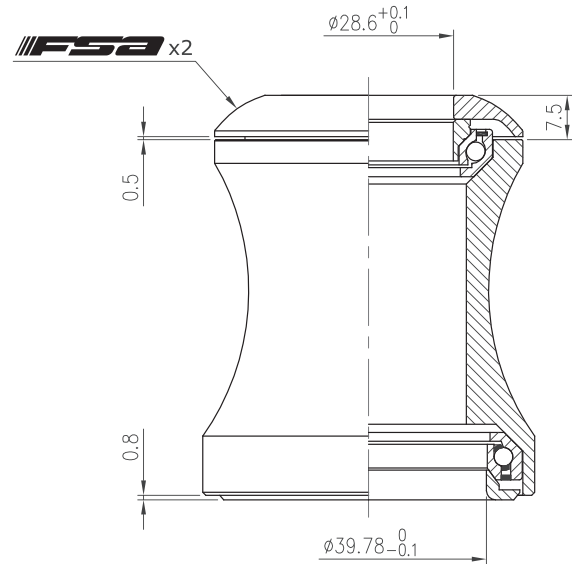
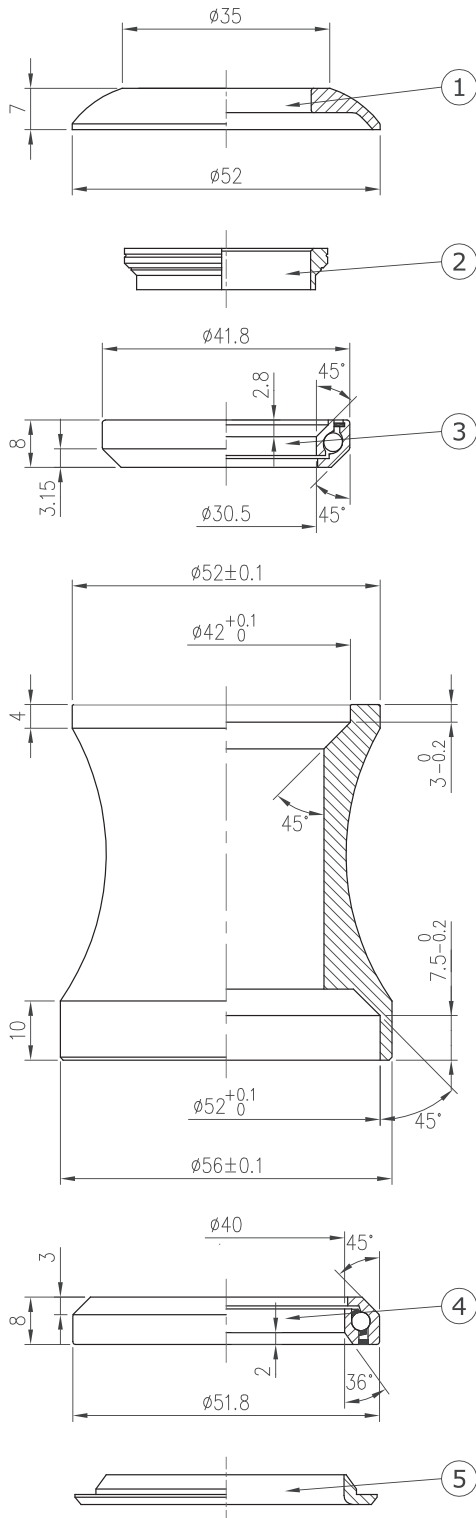


Internal Headset (CC)

NO.42/52/ACB

1-1/8", 45°/ 45° ACB Upper
1.5", 36°/ 45° ACB Lower



Stack Height 7.5+0.8=8.3



Weight - 73 grams

- For tapered 52mm / 56mm OD head tube
- For 1-1/8" to 1.5" tapered fork
- Alloy top cover
- Upper : Angular Contact Bearing(Black seal)
- Lower : 1.5" Angular Contact Bearing(Black seal)

No	Item No	Material	Qty
⑤	H6083{NO.42/ACB-6}	Alloy	1PCS
④	MR127{073E-RS}	Chrome steel	1SET
③	MR121{870E-RS}	Chrome steel	1SET
②	H2081A{NO.8-2}	Alloy	1PCS
①	H2030{NO.42/52-2}	Alloy	1PCS

