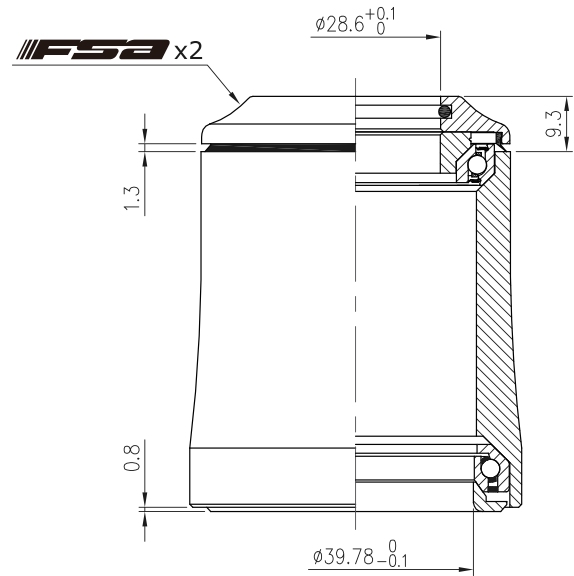
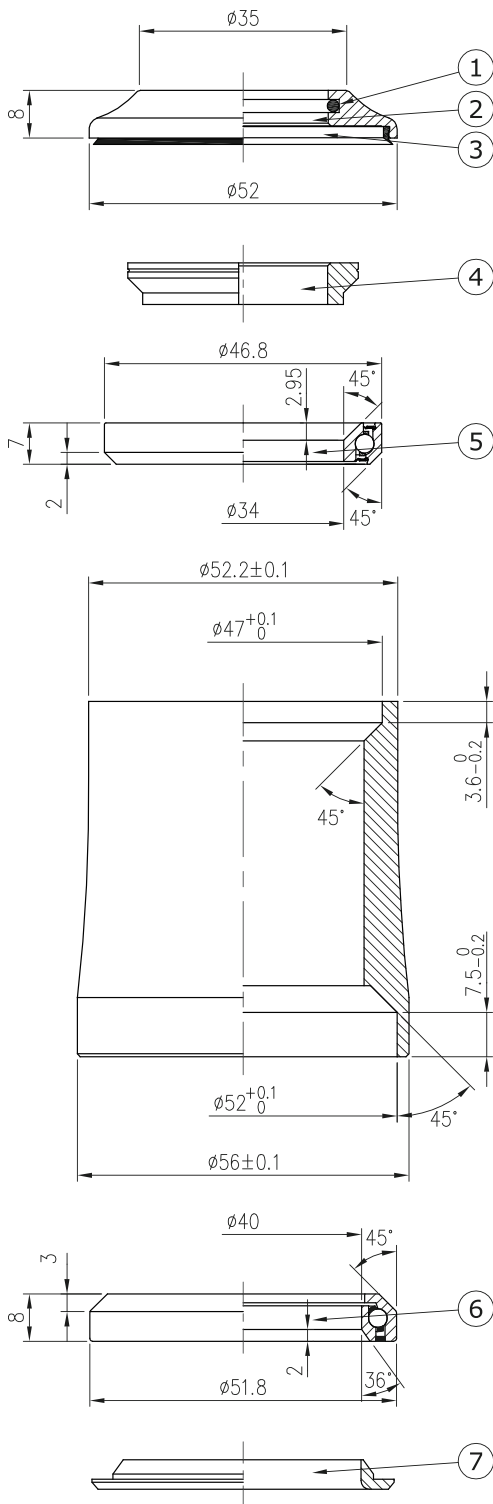


Integrated Headset

NO.62

1-1/8", 45° / 45° ACB Upper
1.5", 36° / 45° ACB Lower



Stack Height $9.3+0.8=10.1$



Weight - 65 grams

- For tapered 52.2mm / 56mm OD head tube
- For 1-1/8" to 1.5" tapered fork
- Alloy top cover
- Upper : Angular Contact Bearing(Black seal)
- Lower : 1.5" Angular Contact Bearing(Black seal)
- Alloy Crown Race

No	Item No	Material	Qty
⑦	H6083{NO.42/ACB-6}	Alloy	1PCS
⑥	MR127{073E-RS}	Chrome steel	1SET
⑤	MR168{970E-RS}	Chrome steel	1SET
④	H2213{NO.53-2}	Alloy	1PCS
③	MS170{NO.53}	Steel w/ rubber sealed	1PCS
②	H2282A{NO.57/52-2}	Alloy	1PCS
①	MS053{872}	Rubber	1PCS