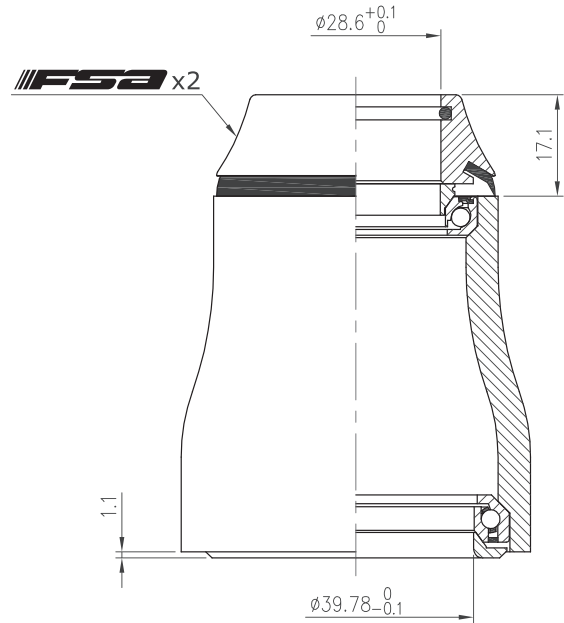
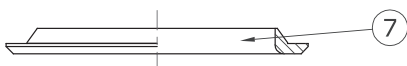
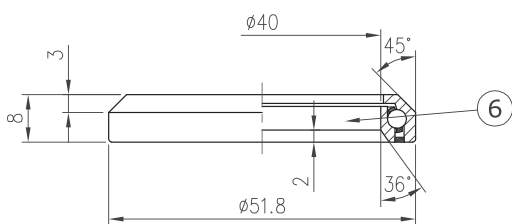
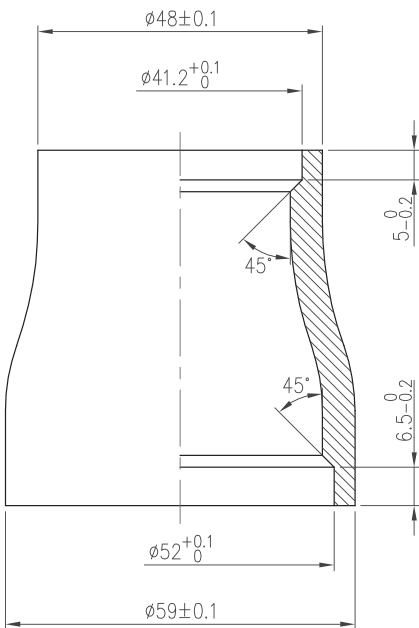
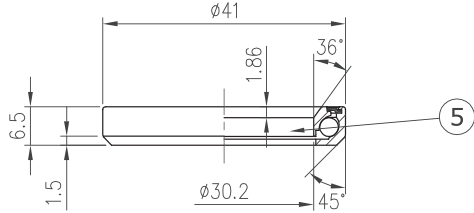
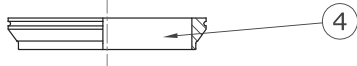
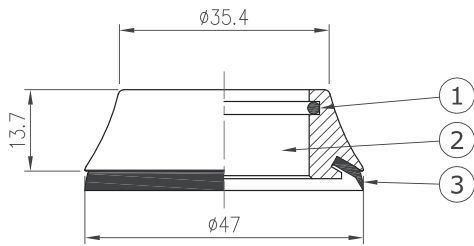


# Integrated Headset

## NO.59

1-1/8" / 1.5", 36° / 45° ACB



Stack Height 17.1+1.1=18.2



Weight - 82.8 grams

- For tapered 48mm / 59mm OD head tube
- For 1-1/8" to 1.5" tapered fork
- Alloy top cover
- Upper : Angular Contact Bearing(Black seal)
- Lower : 1.5" Angular Contact Bearing(Black seal)

| No | Item No           | Material     | Qty  |
|----|-------------------|--------------|------|
| ⑦  | H6088{NO.57-6}    | Alloy        | 1PCS |
| ⑥  | MR127{073E-RS}    | Chrome steel | 1SET |
| ⑤  | MR122{873E-RS}    | Chrome steel | 1SET |
| ④  | H2145{NO.11AGY-2} | Alloy        | 1PCS |
| ③  | MS201{NO.59}      | Rubber       | 1PCS |
| ②  | H2245B{NO.59-2}   | Alloy        | 1PCS |
| ①  | MS053{872}        | Rubber       | 1PCS |

