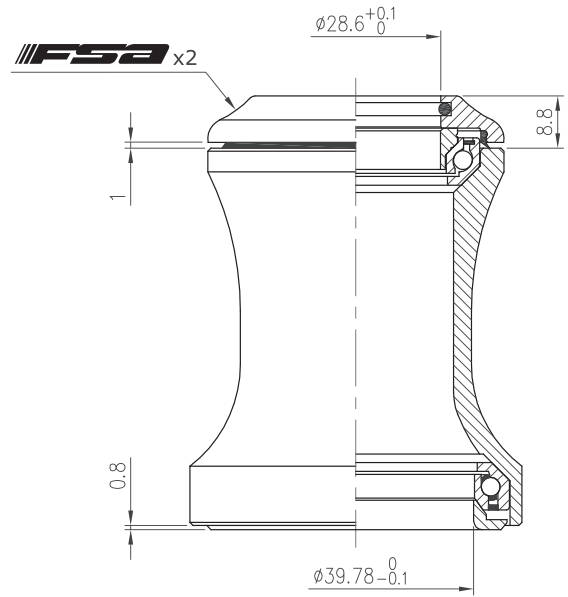
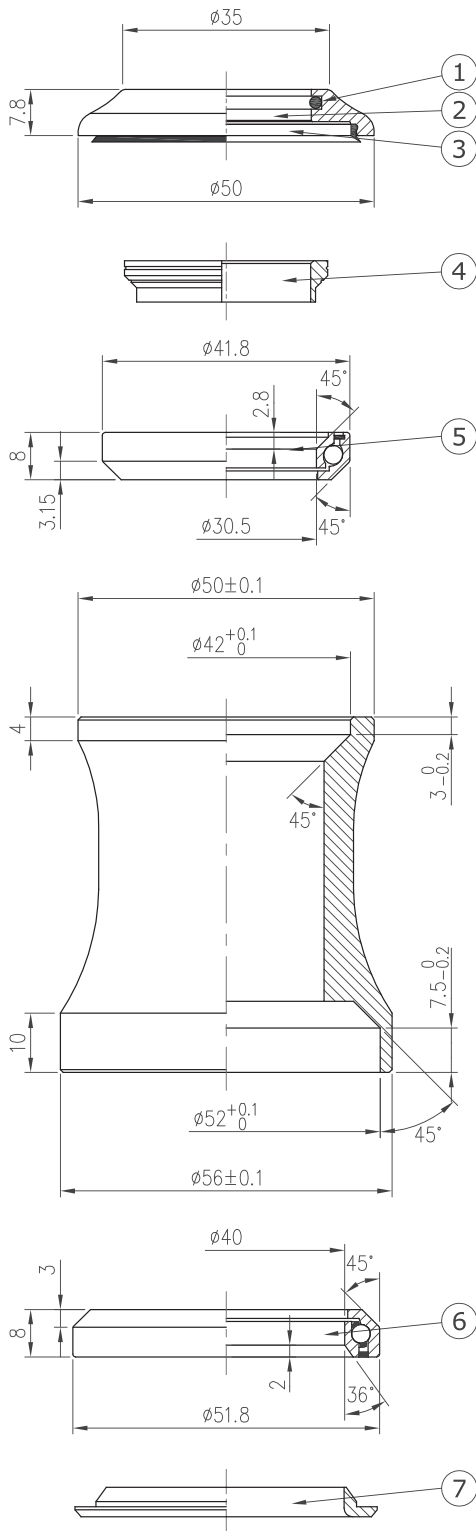


# Internal Headset (CC)

## NO.42/50/ACB

1-1/8", 45° / 45° ACB Upper  
1.5", 36° / 45° ACB Lower



Stack Height 8.8+0.8=9.6



Weight - 78 grams

- For tapered 50mm / 56mm OD head tube
- For 1-1/8" to 1.5" tapered fork
- Alloy top cover
- Upper : Angular Contact Bearing(Black seal)
- Lower : 1.5" Angular Contact Bearing(Black seal)

No	Item No	Material	Qty
⑦	H6083{NO.42/ACB-6}	Alloy	1PCS
⑥	MR127{073E-RS}	Chrome steel	1SET
⑤	MR121{870E-RS}	Chrome steel	1SET
④	H2081A{NO.8-2}	Alloy	1PCS
③	MS100	Steel w/ rubber sealed	1PCS
②	H2344A	Alloy	1PCS
①	MS053{872}	Rubber	1PCS

