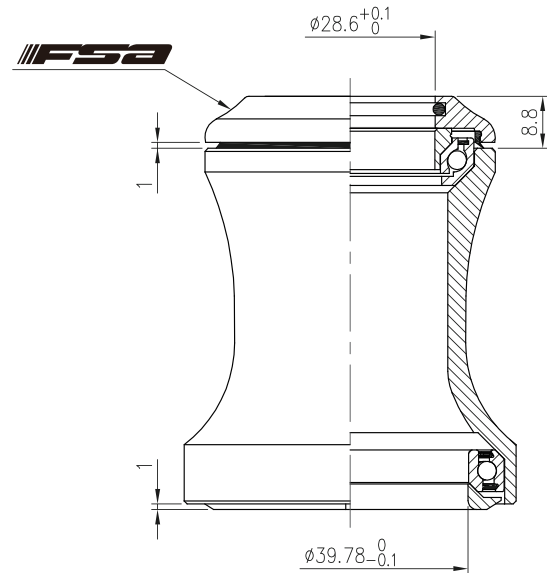
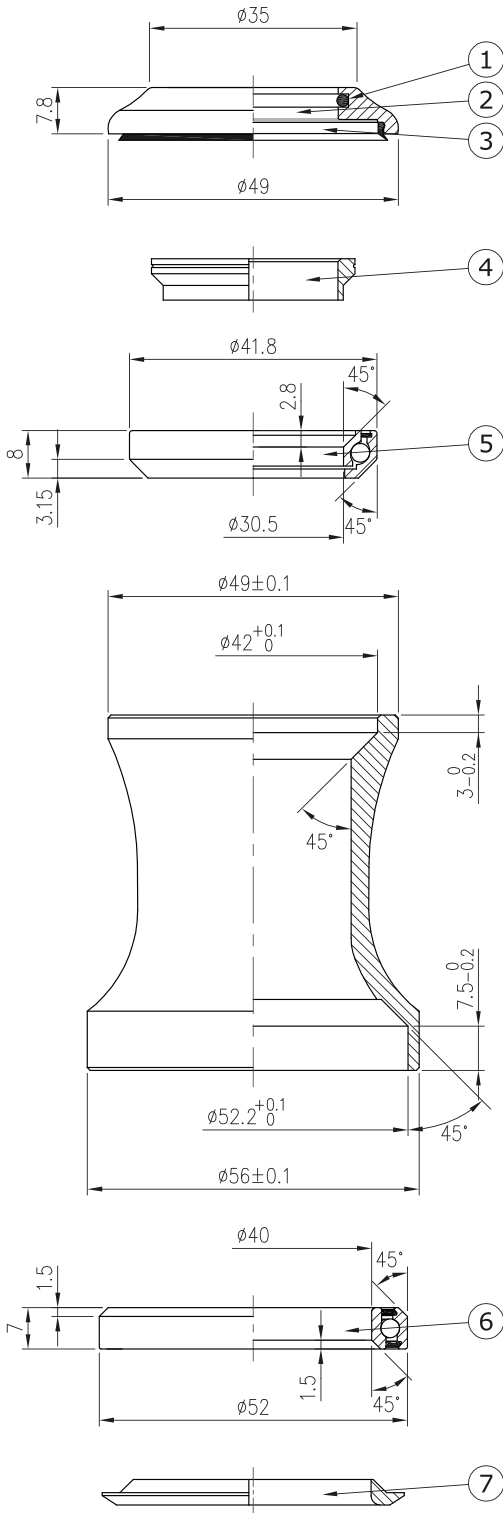


Integrated Headset(CA)

NO.42/49/ACB

1-1/8" / 1.5", 45° / 45° ACB



Stack Height 8.8+1=9.8



Weight - 69 grams

- For tapered 49mm / 56mm OD head tube
- For 1-1/8" to 1.5" tapered fork
- Alloy top cover
- Upper : Angular Contact Bearing(Black seal)
- Lower : 1.5" Angular Contact Bearing(Black seal)

No	Item No	Material	Qty
⑦	H6106{NO.42/49/ACB/S-6}	Alloy	1PCS
⑥	MR170{070E-RS}	Chrome steel	1SET
⑤	MR121{870E-RS}	Chrome steel	1SET
④	H2081A{NO.8-2}	Alloy	1PCS
③	MS100	Steel w/ rubber sealed	1PCS
②	H2224A{NO.42/49-2}	Alloy	1PCS
①	MS053{872}	Rubber	1PCS