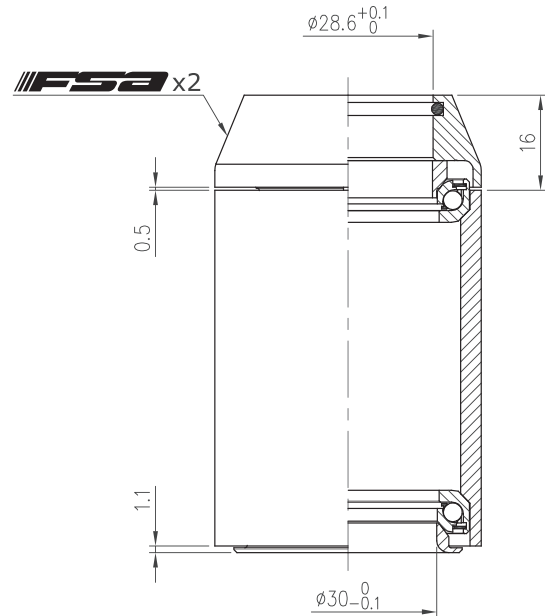
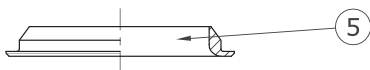
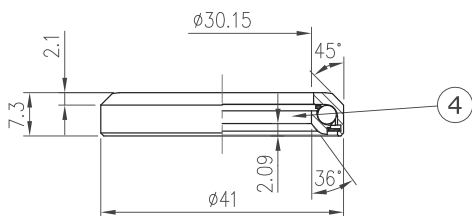
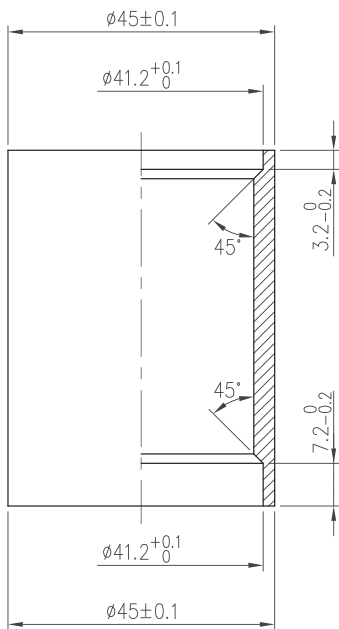
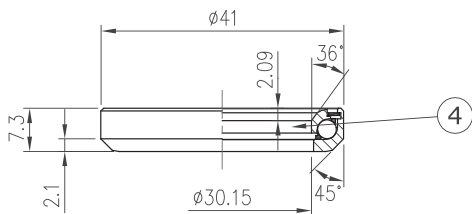
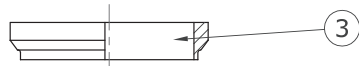
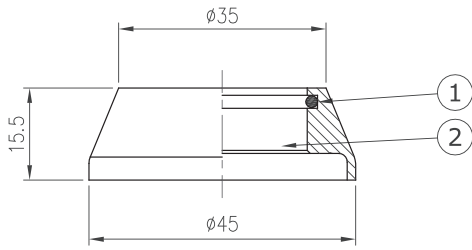


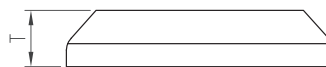
# Integrated Headset (CC)

## IS-3E

1-1/8", 36°/ 45° ACB



Stack Height 16+1.1=17.1



Custom cone spacer		
Item No	T	Stack Height
H2140A	9.5mm	11.1mm
H2140C	20mm	21.6mm
H2140D	25.5mm	27.1mm



Weight - 70.2 grams

- For 45mm OD head tube
- 1-1/8" steerer
- Alloy top cover
- Angular Contact Bearing (Black seal)

No	Item No	Material	Qty
⑤	H6062{IS-3E-6}	Steel	1PCS
④	MR040{873/DJ-RS}	Chrome steel	2SETS
③	H2118{NO.17-2}	Alloy	1PCS
②	H2140B{IS-3E-2}	Alloy	1PCS
①	MS053{872}	Rubber	1PCS

