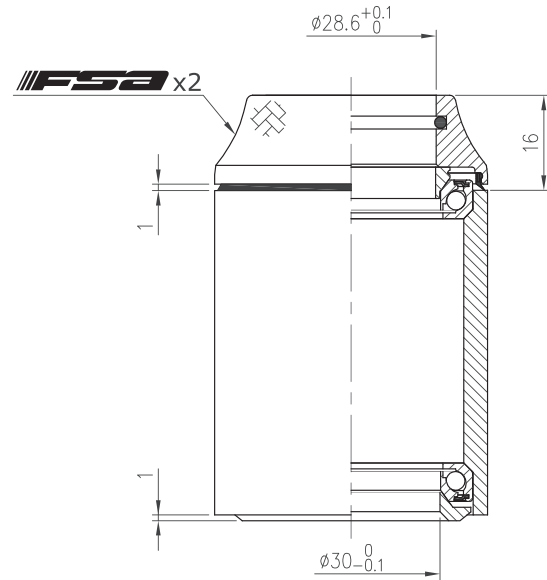
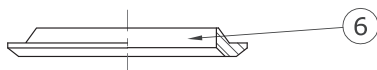
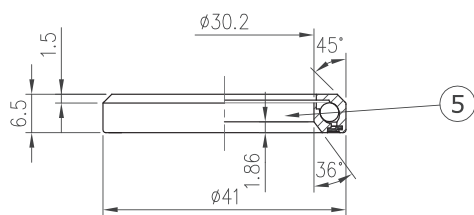
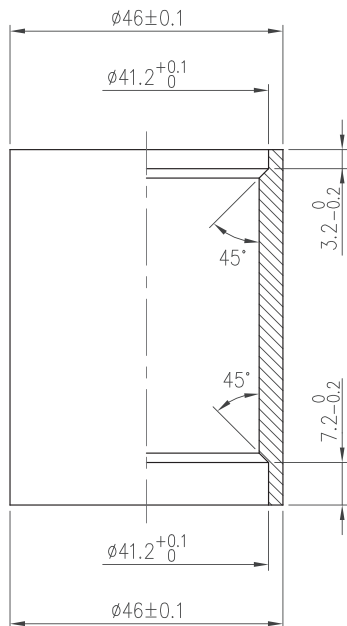
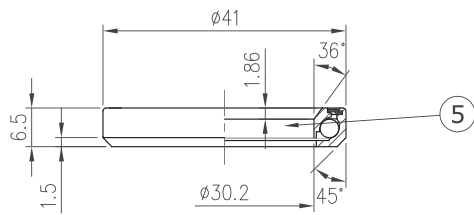
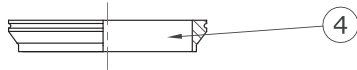
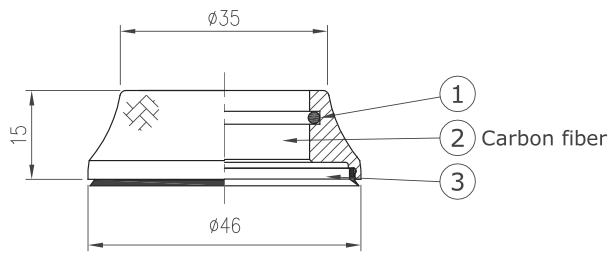


Integrated Headset (CC)

Orbit IS Carbon

IS-2C

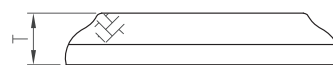
1-1/8", 36°/ 45° ACB



Stack Height 16+1=17



Weight - 50 grams



Custom cone spacer		
Item No	T	Stack Height
H2100A	8.7mm	10.7mm
H2100C	25mm	27mm

- For 46mm OD head tube
- 1-1/8" steerer
- Carbon fiber top cover
- Angular Contact Bearing (Black seal)

No	Item No	Material	Qty
⑥	H6028{S2-1-1/8"-6}	Alloy	1PCS
⑤	MR122{873E-RS}	Chrome steel	2SETS
④	H2145{NO.11AGY-2}	Alloy	1PCS
③	MS100	Steel w/ rubber sealed	1PCS
②	H2100B{NO.8C-2}	Carbon	1PCS
①	MS053{872}	Rubber	1PCS

