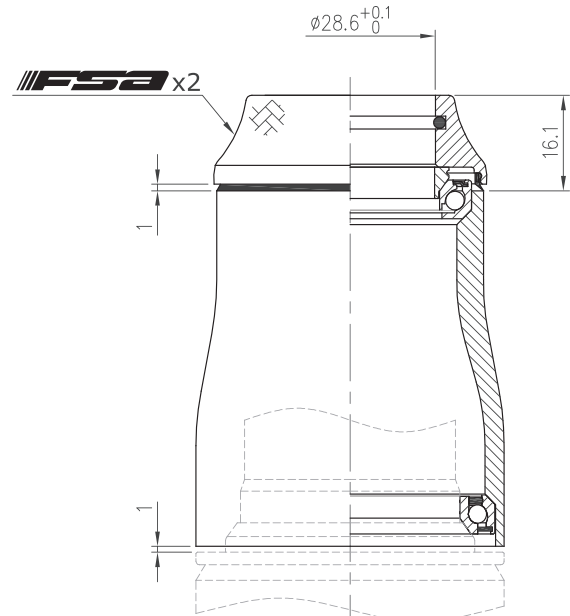
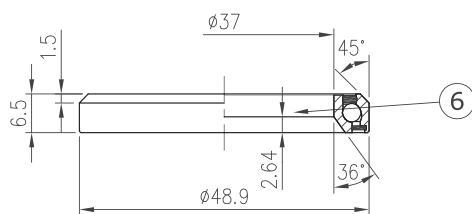
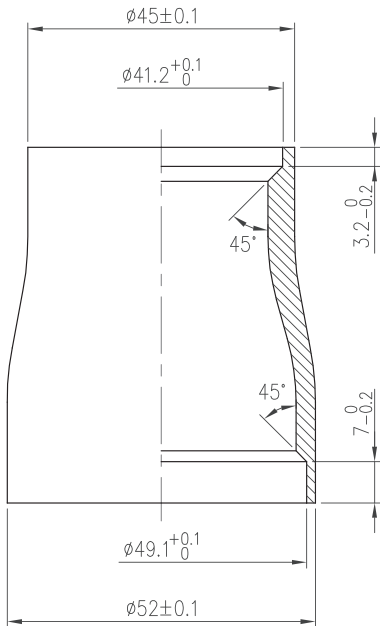
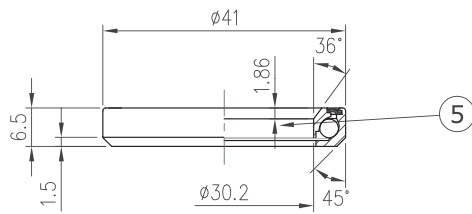
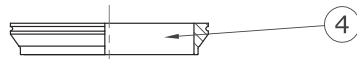
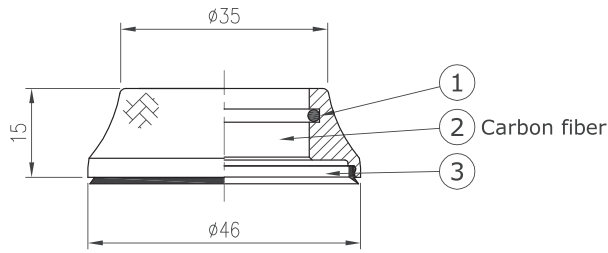


Integrated Headset (CC)

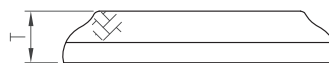
Orbit IS Carbon 138

IS-2C-138

1-1/8" / 1-3/8", 36° / 45° ACB



Stack Height 16.1



| Custom cone spacer | | |
|--------------------|-------|--------------|
| Item No | T | Stack Height |
| H2100A | 8.7mm | 9.8mm |
| H2100C | 25mm | 26.1mm |



Weight - 65.4 grams

- For tapered 45mm / 52mm OD head tube
- For 1-1/8" to 1-3/8" tapered fork
- Carbon fiber top cover
- Angular Contact Bearing (Black seal)

| No | Item No | Material | Qty |
|----|-------------------|---------------------------|------|
| ⑥ | MR031 | Chrome steel | 1SET |
| ⑤ | MR122{873E-RS} | Chrome steel | 1SET |
| ④ | H2145{NO.11AGY-2} | Alloy | 1PCS |
| ③ | MS100 | Steel w/ rubber sealed | 1PCS |
| ② | H2100B{NO.8C-2} | Carbon | 1PCS |
| ① | MS053{872} | Rubber | 1PCS |

