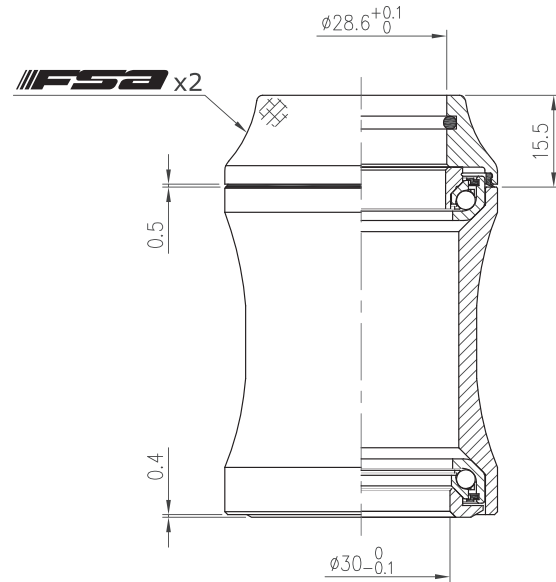
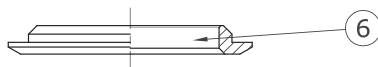
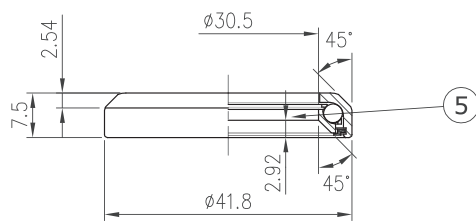
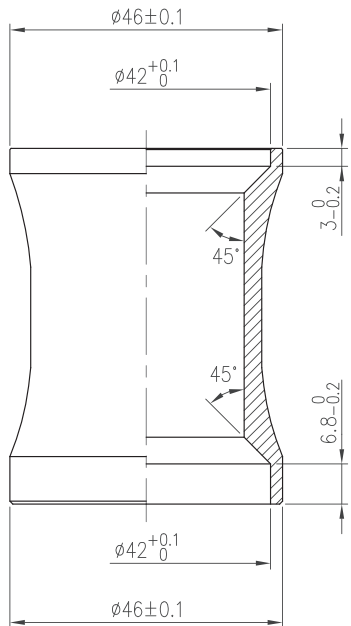
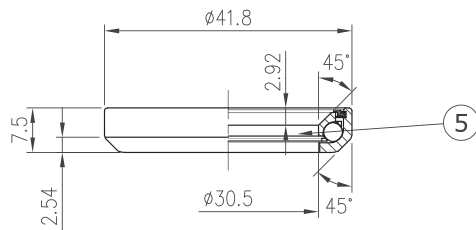
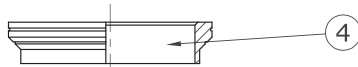
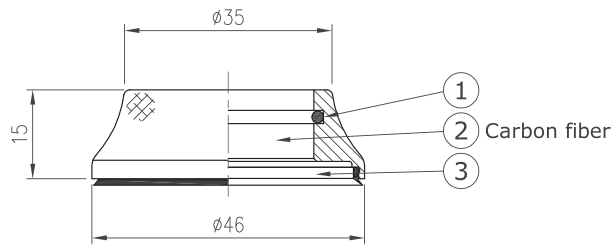


Integrated Headset (CA)

Orbit CE Plus

NO.8B Plus

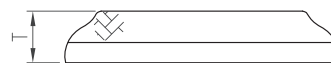
1-1/8", 45°/ 45° ACB



Stack Height 15.5+0.4=15.9



Weight - 67 grams



Custom cone spacer		
Item No	T	Stack Height
H2100A	8.7mm	9.6mm
H2100C	25mm	25.9mm

- For 46mm OD head tube
- 1-1/8" steerer
- Carbon fiber top cover
- Campy Angular Contact Bearing (Black seal)

No	Item No	Material	Qty
⑥	H6119{NO.8-6}	Steel	1PCS
⑤	MR155{870/DJ-RS}	Chrome steel	2SETS
④	H2081A{NO.8-2}	Alloy	1PCS
③	MS100	Steel w/ rubber sealed	1PCS
②	H2100B{NO.8C-2}	Carbon	1PCS
①	MS053{872}	Rubber	1PCS

