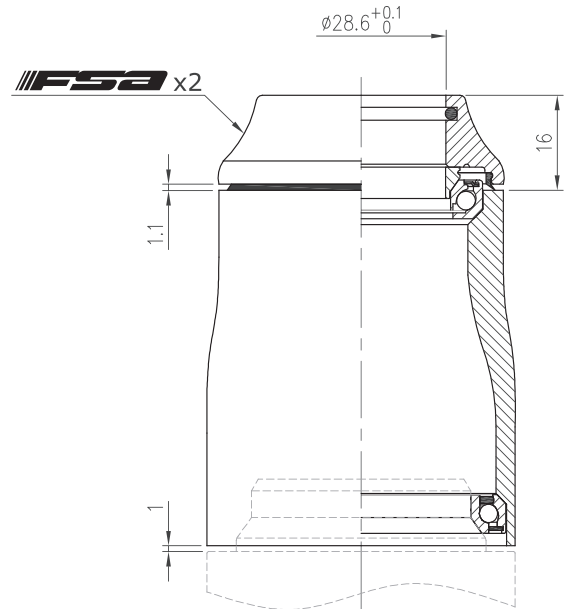
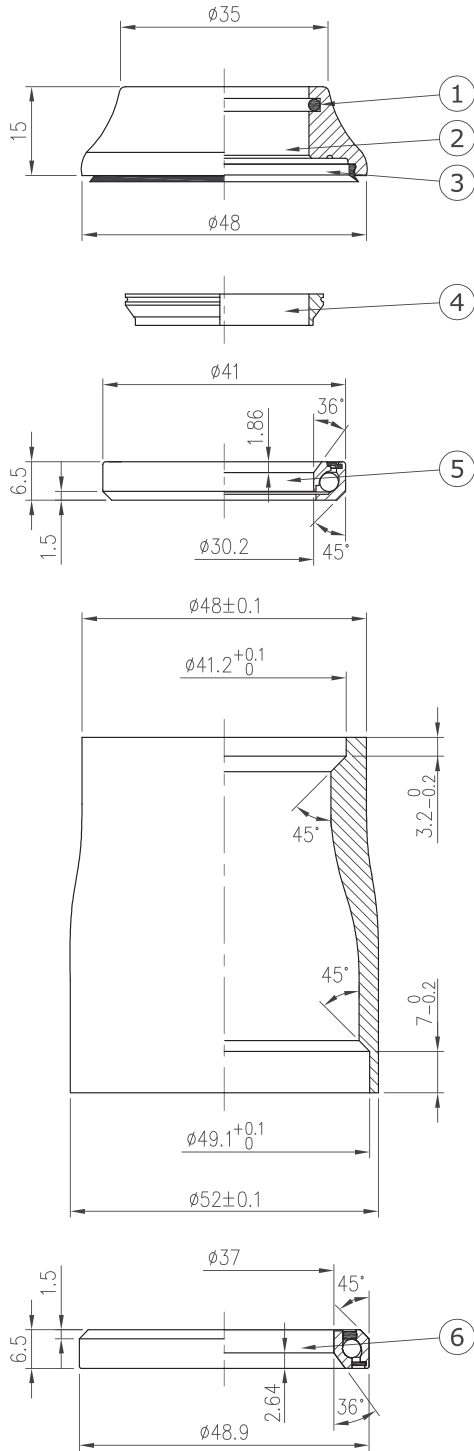


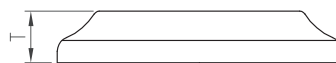
Integrated Headset (CC)

IS-2/48-138

1-1/8" / 1-3/8", 36° / 45° ACB



Stack Height 16



Custom cone spacer		
Item No	T	Stack Height
H2105A	8.7mm	9.7mm
H2105C	20mm	21mm



Weight - 69.5 grams

- For tapered 48mm / 52mm OD head tube
- For 1-1/8" to 1-3/8" tapered fork
- Alloy top cover
- Angular Contact Bearing (Black seal)

No	Item No	Material	Qty
⑥	MR031	Chrome steel	1SET
⑤	MR122{873E-RS}	Chrome steel	1SET
④	H2145{NO.11AGY-2}	Alloy	1PCS
③	MS100	Steel w/ rubber sealed	1PCS
②	H2105B	Alloy	1PCS
①	MS053{872}	Rubber	1PCS

