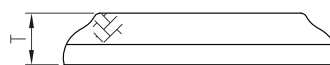
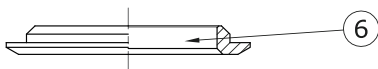
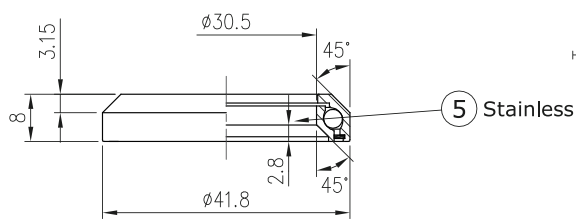
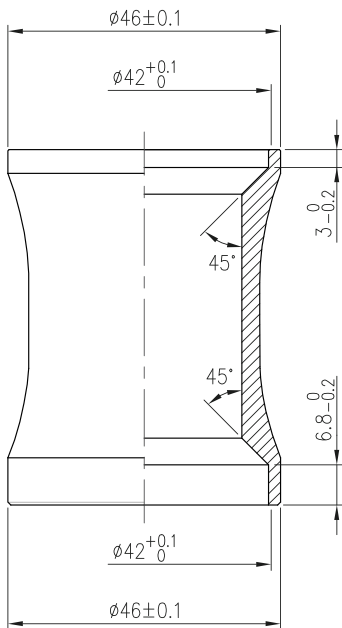
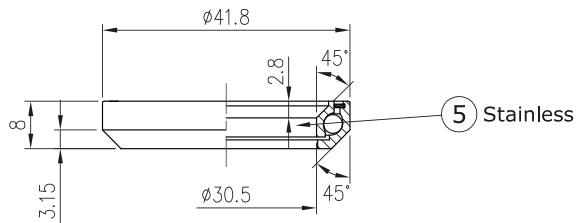
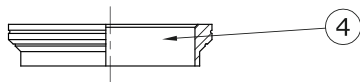
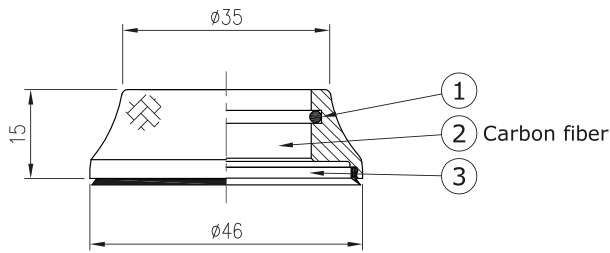


Integrated Headset (CA)

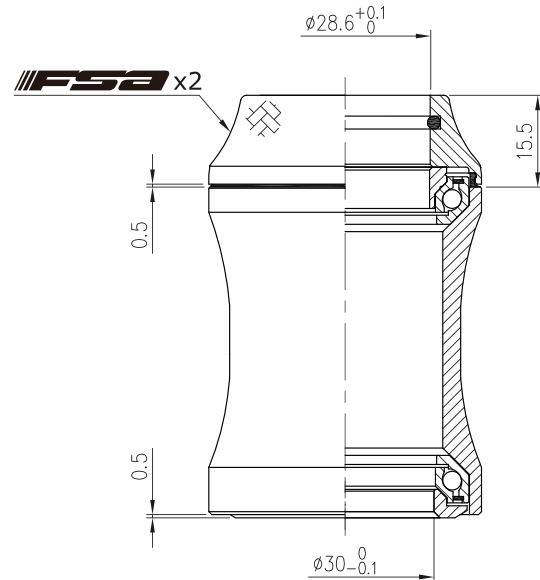
Orbit CF

NO.8C

1-1/8", 45°/ 45° ACB



Custom cone spacer		
Item No	T	Stack Height
H2100A	8.7mm	9.7mm
H2100C	25mm	26mm



Stack Height 15.5+0.5=16



Weight - 66 grams

- For 46mm OD head tube
- 1-1/8" steerer
- Carbon fiber top cover
- Campy stainless Angular Contact Bearing (Grey seal)

No	Item No	Material	Qty
⑥	H6119{NO.8-6}	Steel	1PCS
⑤	MR042{870S}	Stainless	2SETS
④	H2081A{NO.8-2}	Alloy	1PCS
③	MS100	Steel w/ rubber sealed	1PCS
②	H2100B{NO.8C-2}	Carbon	1PCS
①	MS053{872}	Rubber	1PCS



Integrated Headsets
(No cups)