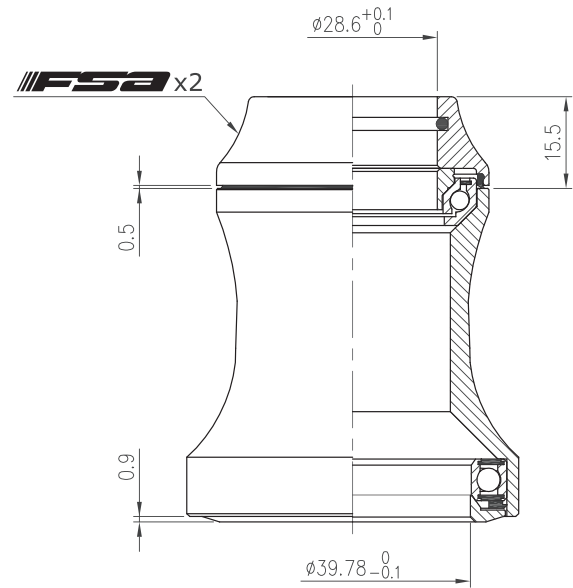
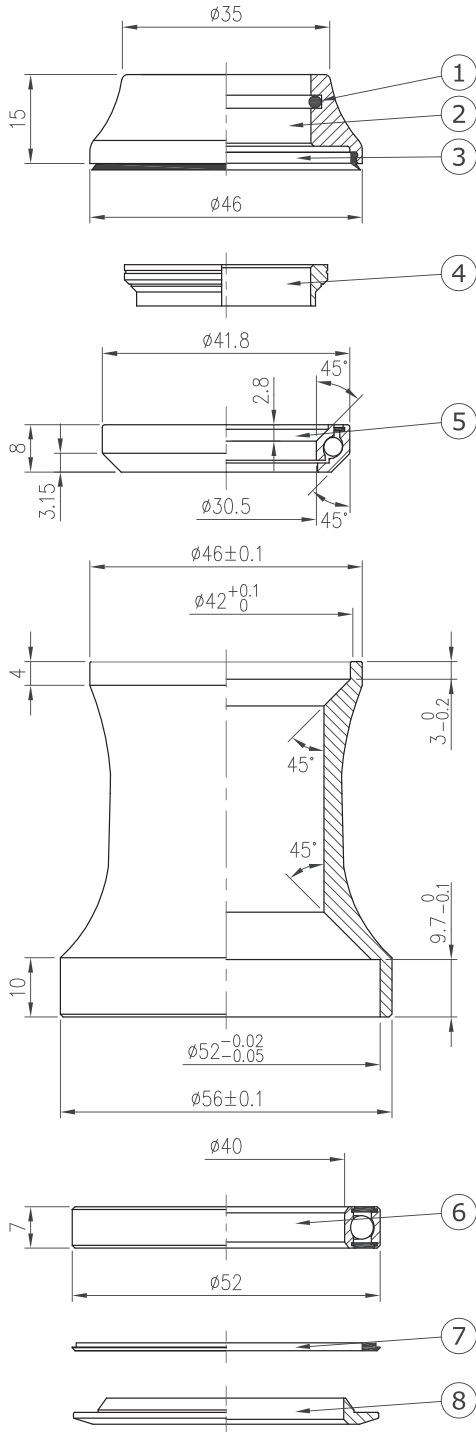


Integrated Headset

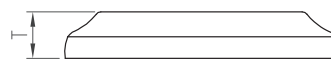
Orbit C-40

NO.42

1-1/8", 45° / 45° ACB Upper
1.5", Industrial bearing Lower



Stack Height $15.5+0.9=16.4$



Custom cone spacer		
Item No	T	Stack Height
H2094A	7.8mm	9.2mm
H2094B	25mm	26.4mm
H2166A	8.7mm	10.1mm
H2166C	20mm	21.4mm



Weight - 90.8 grams

- For tapered 46mm / 56mm OD head tube
- For 1-1/8" to 1.5" tapered fork
- Alloy top cover
- Upper : Campy Angular Contact Bearing (Black seal)
- Lower: Industrial cartridge sealed bearing
- Alloy Crown Race

No	Item No	Material	Qty
⑧	H6049{NO.12B-6}	Alloy	1PCS
⑦	MS110{NO.12B}	Rubber	1PCS
⑥	MR069{6808-2RS}	Chrome steel	1SET
⑤	MR121{870E-RS}	Chrome steel	1SET
④	H2081A{NO.8-2}	Alloy	1PCS
③	MS100	Steel w/ rubber sealed	1PCS
②	H2166B{NO.8C-2}	Alloy	1PCS
①	MS053{872}	Rubber	1PCS

