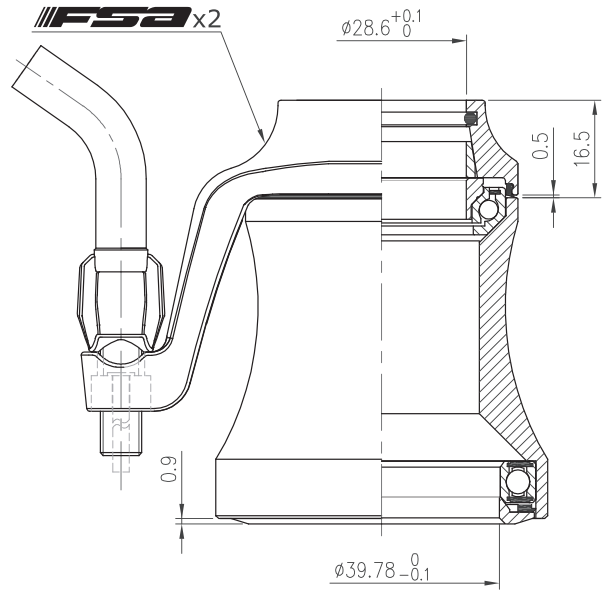
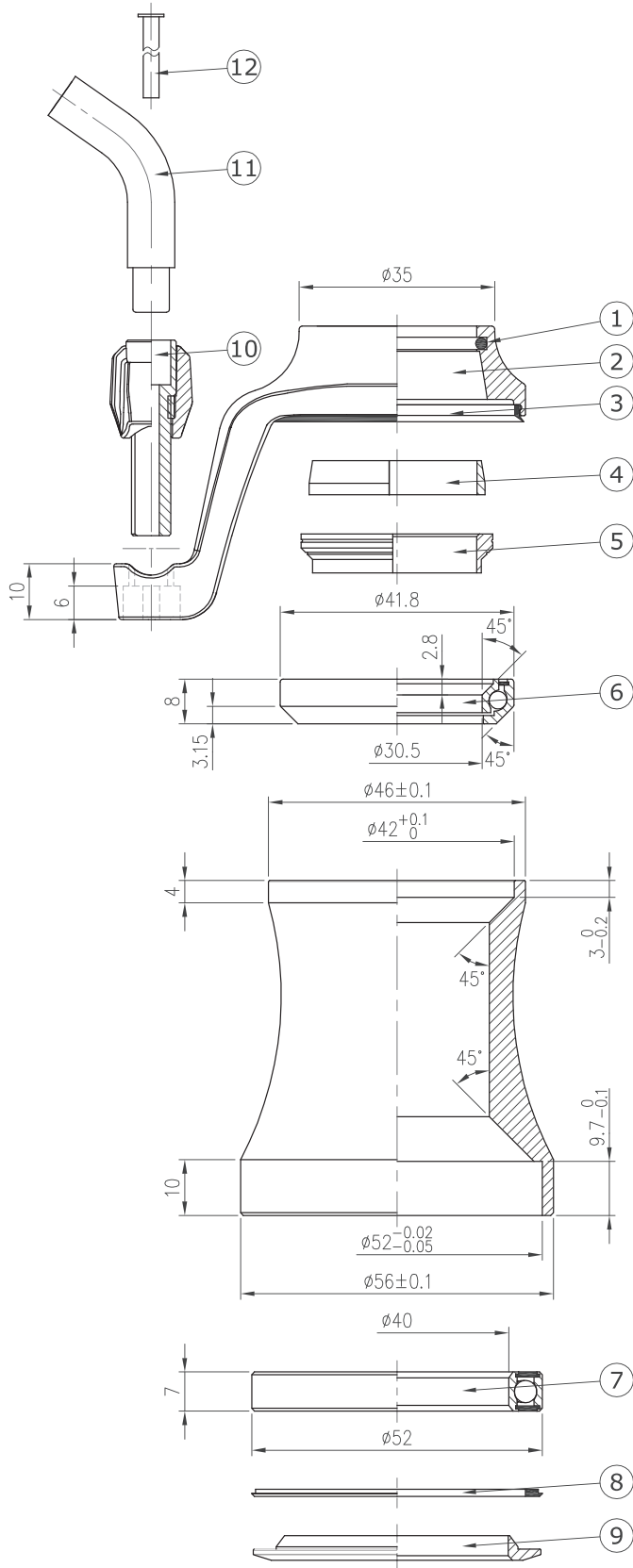


Integrated Headset

Orbit C-40-CX

NO.42-CX

1-1/8", 45°/ 45° ACB Upper
1.5", Industrial bearing Lower



Stack Height $16.5 + 0.9 = 17.4$



Weight - 101.2 grams

- With cable hanger for Cyclocross
- For tapered 46mm / 56mm OD head tube
- For 1-1/8" to 1.5" tapered fork
- Barrel adjuster cable hanger top cover
- Upper : Campy Angular Contact Bearing (Black seal)
- Lower : Industrial cartridge sealed bearing
- Alloy Crown Race

No	Item No	Material	Qty
⑫	ME095	PE	1PCS
⑪	ME070	Alloy	1PCS
⑩	ML229{barrel adjuster}		1SET
⑨	H6049{NO.12B-6}	Alloy	1PCS
⑧	MS110{NO.12B}	Rubber	1PCS
⑦	MR069{6808-2RS}	Chrome steel	1SET
⑥	MR121{870E-RS}	Chrome steel	1SET
⑤	H2081A{NO.8-2}	Alloy	1PCS
④	H2182	Alloy	1PCS
③	MS100	Steel w/ rubber sealed	1PCS
②	H2179{NO.8B-CX}	Alloy	1PCS
①	MS053{872}	Rubber	1PCS

