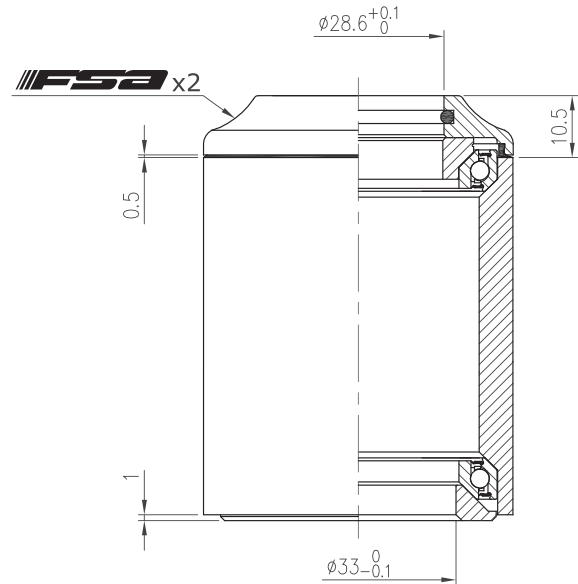
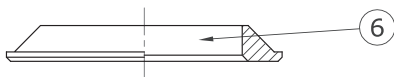
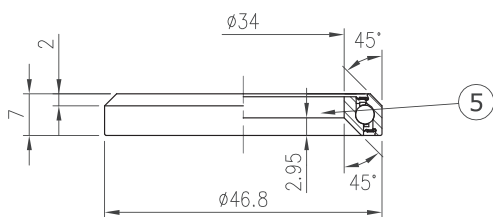
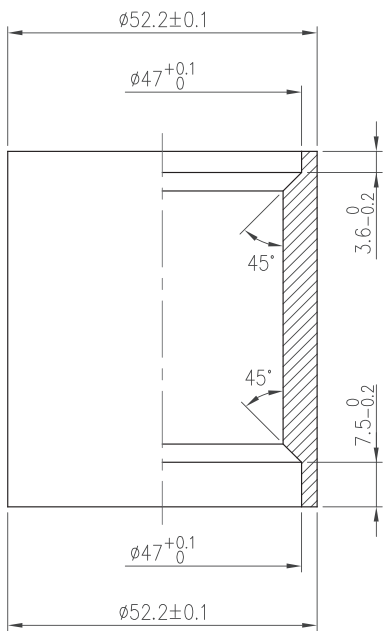
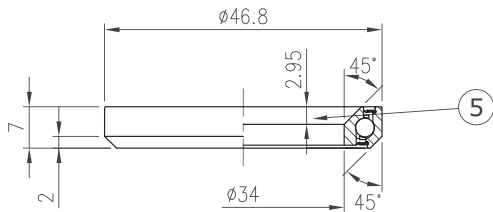
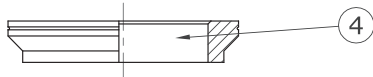
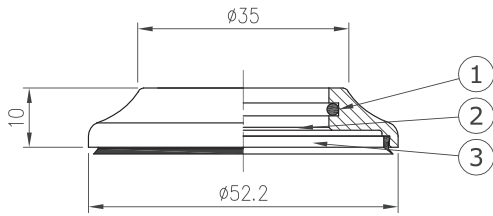


Integrated Headset (CA)

NO.53-1

1-1/8" / 1-1/4", 45° / 45° ACB



Stack Height 10.5+1=11.5



Weight - 86.3 grams

- For 52.2mm OD head tube
- For 1-1/8" to 1-1/4" tapered fork
- Alloy top cover
- Campy Angular Contact Bearing (Black seal)

| No | Item No | Material | Qty |
|----|----------------|---------------------------|-------|
| ⑥ | H6063{NO.44-6} | Alloy | 1PCS |
| ⑤ | MR168{970E-RS} | Chrome steel | 2SETS |
| ④ | H2213{NO.53-2} | Alloy | 1PCS |
| ③ | MS170{NO.53} | Steel w/ rubber sealed | 1PCS |
| ② | H2216{NO.53-2} | Alloy | 1PCS |
| ① | MS053{872} | Rubber | 1PCS |

