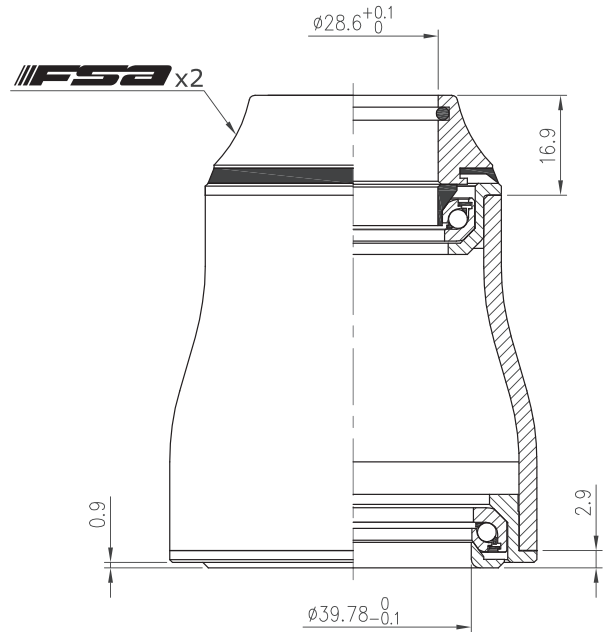
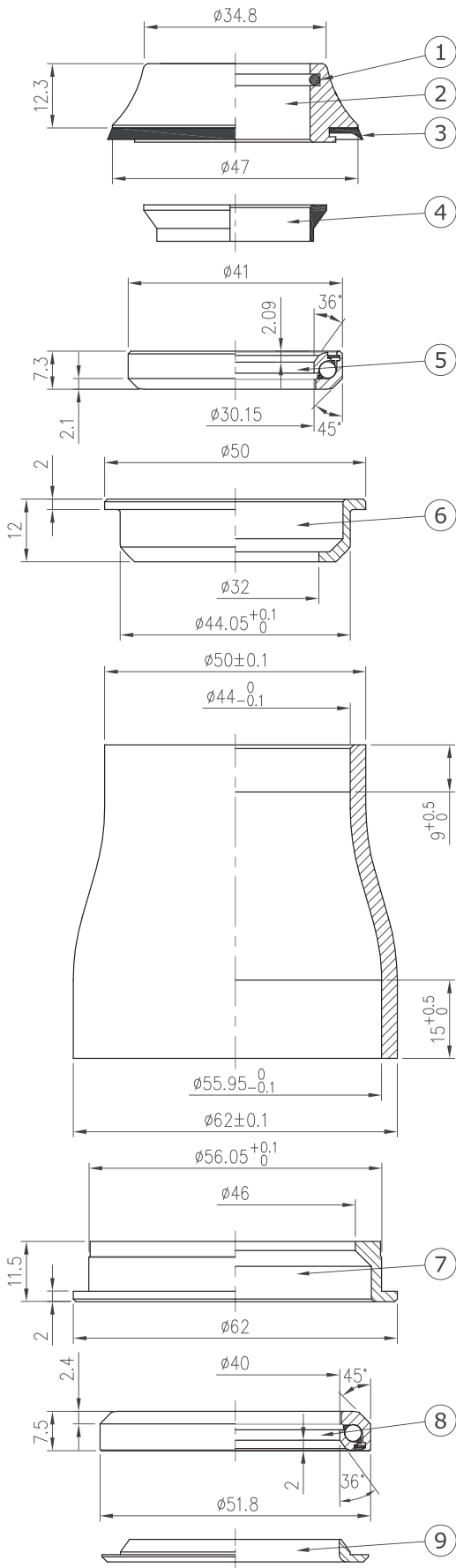


Internal Headset (CC)

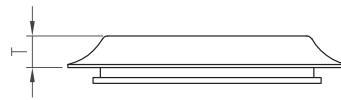
Orbit 1.5E ZS

NO.57E

1-1/8" / 1.5", 36° / 45° ACB



Stack Height 16.9+2.9=19.8



Custom cone spacer		
Item No	T	Stack Height
H2051C	3.3mm	10.8mm
H2051A	5.3mm	12.8mm
H2051J	8.2mm	15.7mm
H2051G	17.3mm	24.8mm
H2051E	22.3mm	29.8mm
H2051H	27.3mm	34.8mm



Weight - 124.6 grams

- For tapered 50mm / 62mm OD head tube
- For 1-1/8" to 1.5" tapered fork
- Alloy top cover
- Upper : Alloy or steel cup with ACB (Black seal)
Lower : Alloy or steel cup with 1.5" ACB (Black seal)

No	Item No	Material	Qty
⑨	H6088{NO.57-6}	Alloy	1PCS
⑧	MR019{073/DJ-RS}	Chrome steel	1SET
⑦	H5068{NO.57-5}-T	Steel	1PCS
	H5068{NO.57-5}	Alloy	
⑥	H4098-T	Steel	1PCS
	H4098	Alloy	
⑤	MR040{873/DJ-RS}	Chrome steel	1SET
④	H2036{NO.5-2}	Nylon	1PCS
③	MS073	Rubber	1PCS
②	H2051B	Alloy	1PCS
①	MS053{872}	Rubber	1PCS

