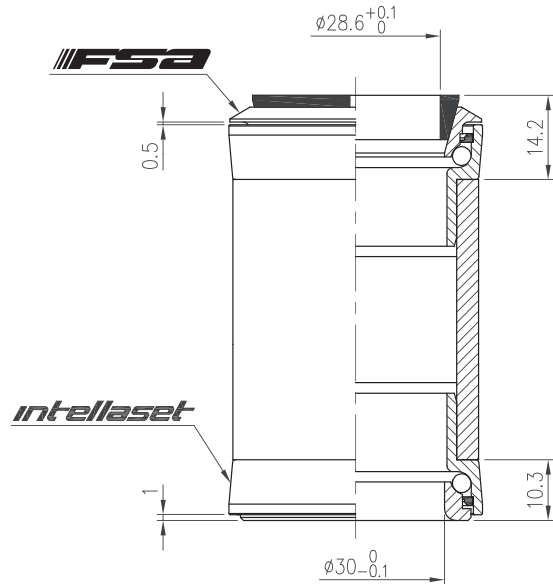
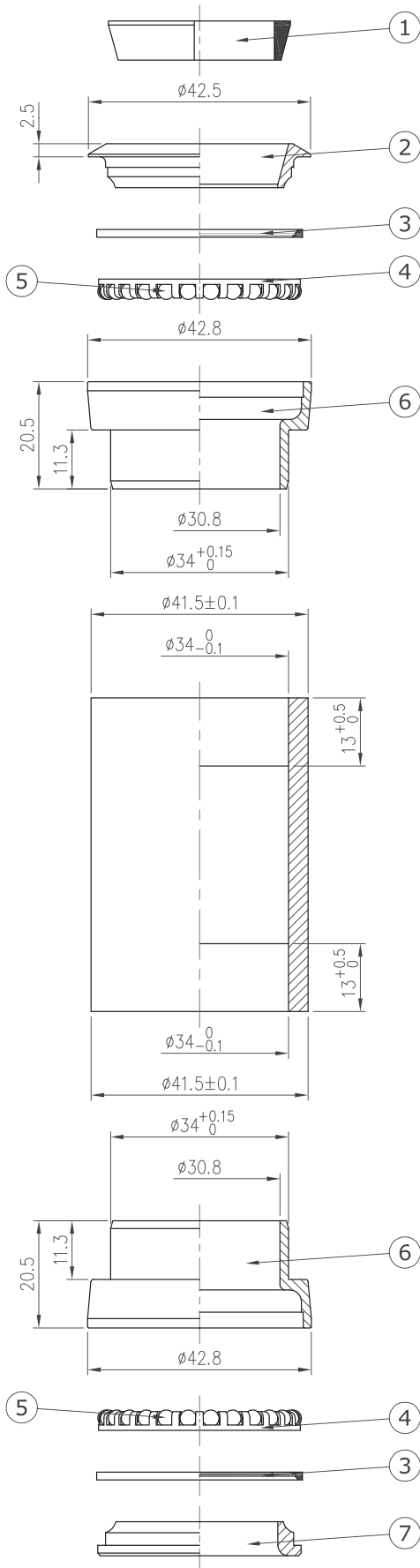


Intellaset Headset

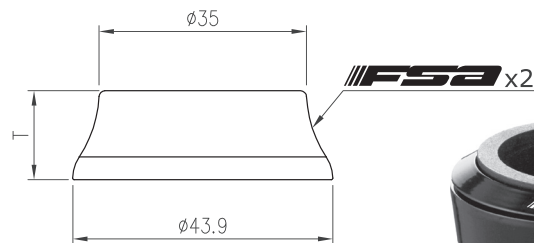
Intellaset ST

NO.28

1-1/8", Retainer bearings



Stack Height 14.2+10.3=24.5



Custom cone spacer		
Item No	T	Stack Height
H2154B	10mm	30.5mm
H2154C	15mm	35.5mm
H2154D	20mm	40.5mm



Weight - 115 grams

- For 41.5-42mm normal OD head tube
- 1-1/8" steerer
- Alloy custom top cover
- $\Phi 1/8"$ x 26 retainer bearings
- Forged steel cups

No	Item No	Material	Qty
⑦	H6010{850-6}	Steel	1PCS
⑥	H4073{NO.28-4-5}	Steel	2PCS
⑤	MR048{ $\Phi 1/8"$ }	Chrome steel	52PCS
④	MR056{ $\Phi 1/8"$ x 26}	Steel	2PCS
③	MS314{NO.28}	PU	2PCS
②	H3077{NO.28-3}	Steel	1PCS
①	H2016{855-2}	ABS	1PCS

