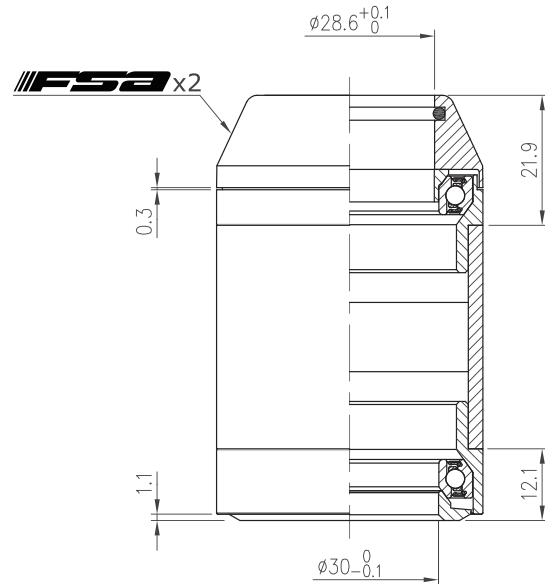
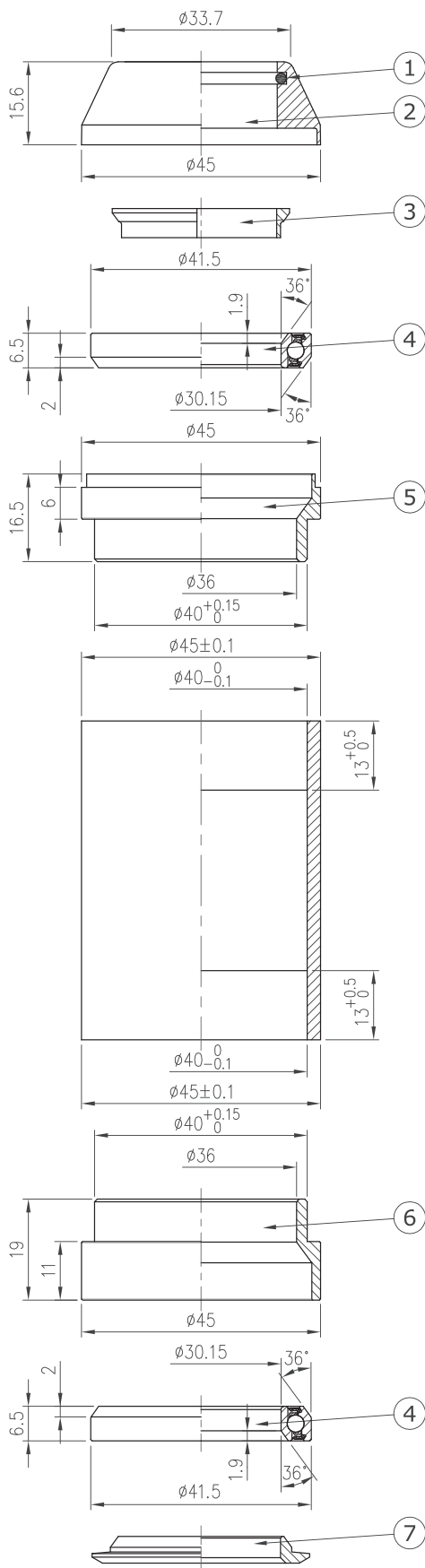


Intellaset Headset

Intellaset Pro

NO.14

1-1/8", 36°/ 36° ACB



Stack Height 21.9+12.1=34



Custom cone spacer		
Item No	T	Stack Height
H2060A	9.4mm	27.8mm
H2060C	20.6mm	39mm
H2060D	25.6mm	44mm



Weight - 93 grams

- Columbus style
- For 45mm OD head tube
- 1-1/8" steerer
- Alloy top cover
- Angular Contact Bearing (Black seal)

No	Item No	Material	Qty
⑦	H6026{NO.14}	Alloy	1PCS
⑥	H5049{NO.14-5}	Alloy	1PCS
⑤	H4068{NO.14-4}	Alloy	1PCS
④	MR043{872E-RS}	Chrome steel	2SETS
③	H2048{WCS-1-1/8"-2}	Alloy	1PCS
②	H2060B	Alloy	1PCS
①	MS053{872}	Rubber	1PCS

