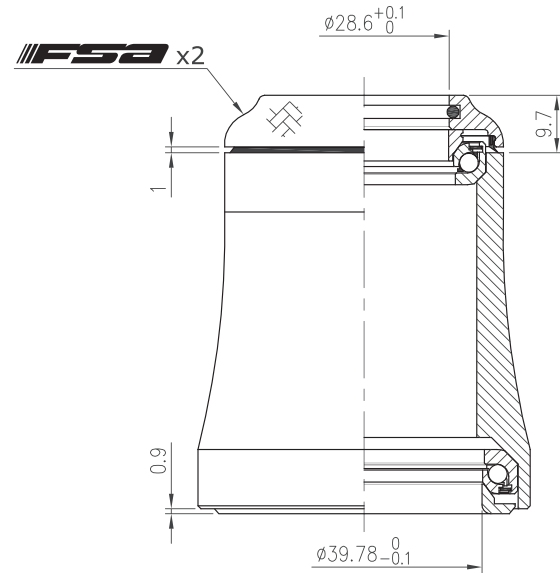
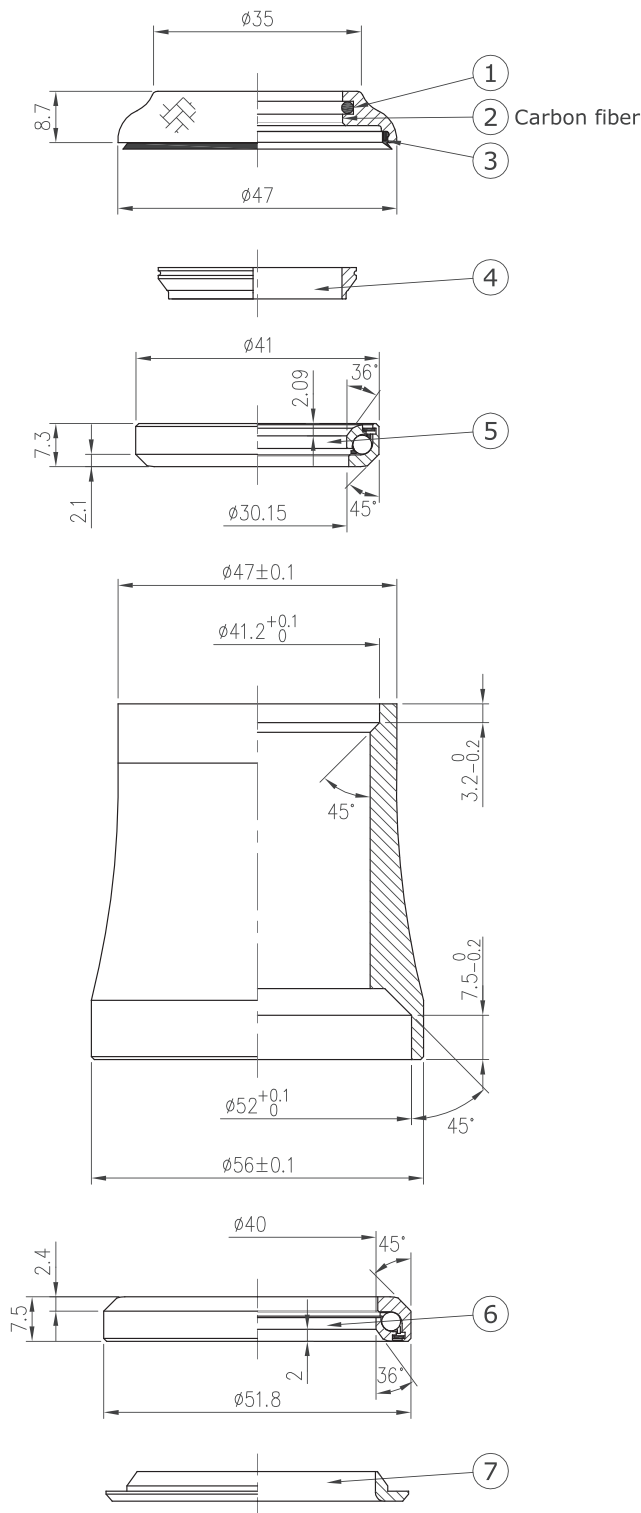


Integrated Headset (CC)

IS-2C/47/42E/ACB

1-1/8", 1.5", 36°/ 45° ACB



Stack Height $9.7+0.9=10.6$



Weight - 67.4 grams

- For 47mm / 56mm OD head tube
- For 1-1/8" to 1.5" tapered fork
- Carbon fiber top cover
- Upper : Angular Contact Bearing (Black seal)
- Lower : 1.5" Angular Contact Bearing (Black seal)

No	Item No	Material	Qty
⑦	H6083 {NO.42E/ACB-6}	Alloy	1PCS
⑥	MR019 {073/DJ-RS}	Chrome steel	1SET
⑤	MR040 {873/DJ-RS}	Chrome steel	1SET
④	H2145 {NO.11AGY-2}	Alloy	1PCS
③	MS100	Steel w/ rubber sealed	1PCS
②	H2418 {IS-2C/47-2}	Carbon	1PCS
①	MS053 {872}	Rubber	1PCS

