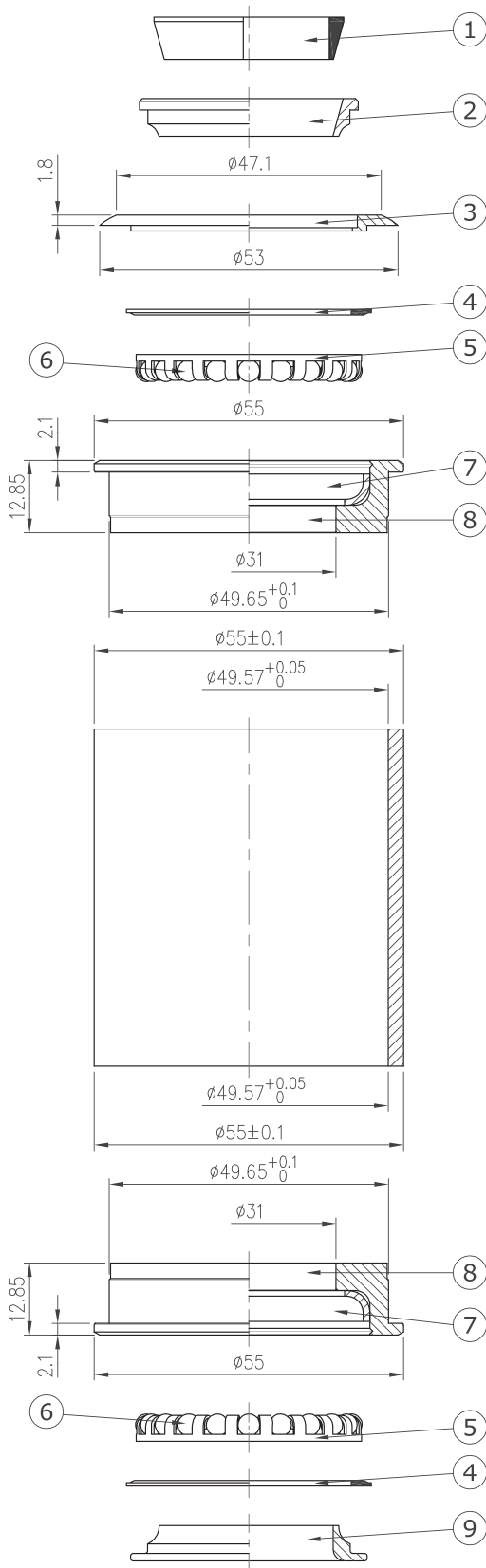


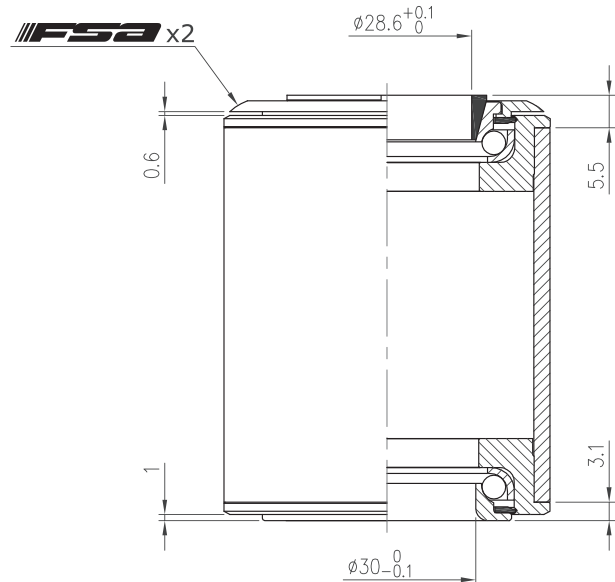
Internal Headset

Orbit E 1.5R/12.8

1-1/8", Retainer bearings



- Reduction design
- For 55mm OD head tube
- For 1.5" sized head tube and 1-1/8" steerer
- Alloy top cover
- Alloy internal cup with steel insert
- Ø5/32"x20 retainer bearings



Stack Height 5.5+3.1=8.6



Weight - 178 grams

No	Item No	Material	Qty
⑨	H6064{Orbit E 1.5R-6}	Steel	1PCS
⑧	H4107A{Orbit E 1.5R}	Alloy	2PCS
⑦	H7012{860-5}	CrMo	2PCS
⑥	MR001{ø5/32"}	Chrome steel	40PCS
⑤	MR013{ø5/32"x20}	Steel	2PCS
④	MS080{NO.5A}	Rubber	2PCS
③	H2164{Orbit E 1.5R-2}	Alloy	1PCS
②	H3071{888-3}	Steel	1PCS
①	H2040{888-2}	POM	1PCS

