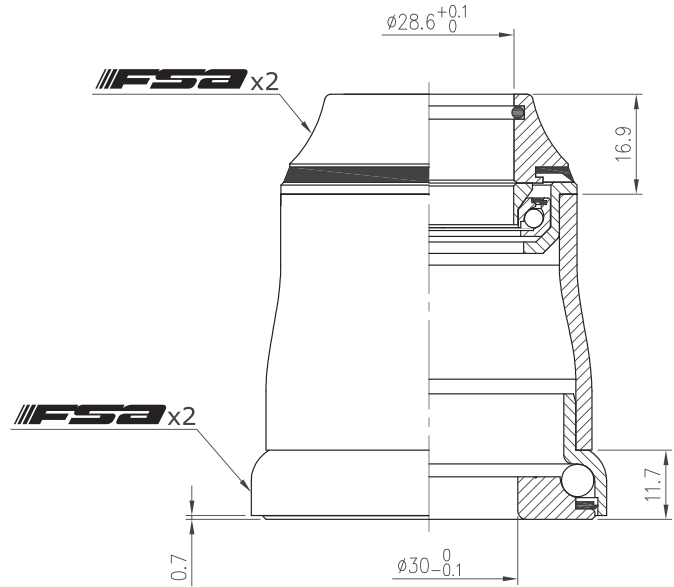
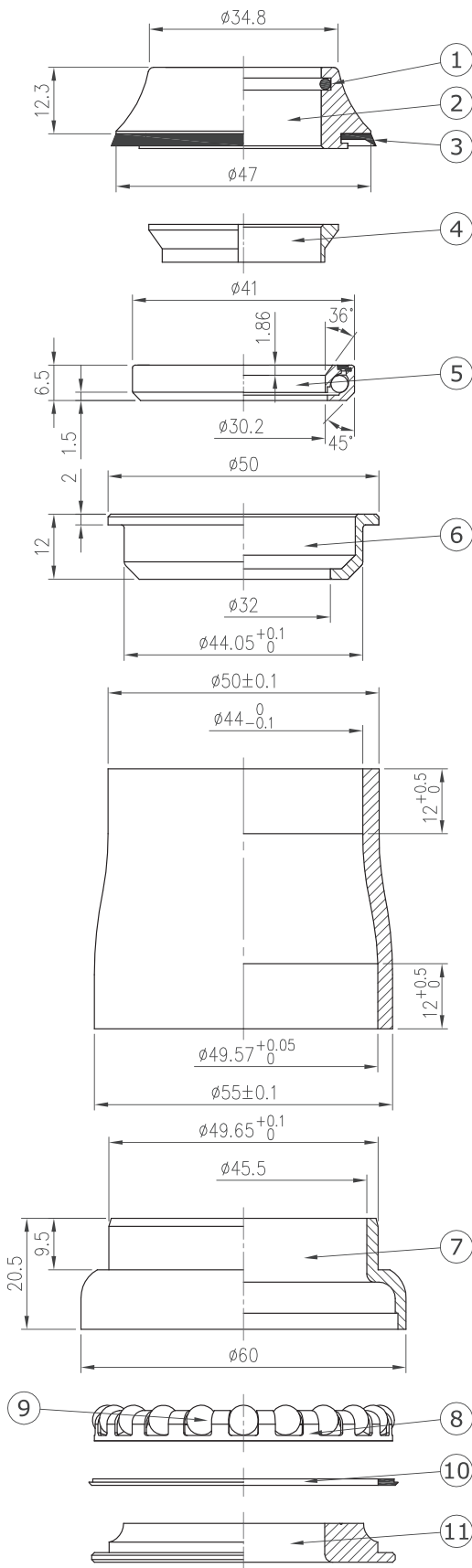


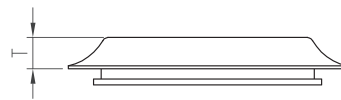
Internal Headset (CC)

NO.9M/CUP/CC/7BY

1-1/8", 36°/ 45° ACB-Upper
Retainer bearings-Lower



Stack Height $16.9 + 11.7 = 28.6$



Custom cone spacer		
Item No	T	Stack Height
H2051C	3.3mm	19.6mm
H2051A	5.3mm	21.6mm
H2051J	8.2mm	24.5mm
H2051G	17.3mm	33.6mm
H2051E	22.3mm	38.6mm
H2051H	27.3mm	43.6mm



Weight - 150.8 grams

- For 1.5" sized head tube and 1-1/8" steerer
- For tapered 50mm / 55mm OD head tube
- Alloy or steel upper cup and steel lower cup
- Upper : Angular Contact Bearing (Black seal)
- Lower : Super oversized $\phi 7/32" \times 20$ retainer bearings

No	Item No	Material	Qty
11	H6051{NO.60-6}	Steel	1PCS
10	MS096{NO.60-4-6}	Rubber	1PCS
9	MR005{ $\phi 7/32"$ }	Chrome steel	20PCS
8	MR068{ $\phi 7/32" \times 20$ }	Steel	1PCS
7	H4114{NO.60ST-4-5}	Steel	1PCS
6	H4098-T	Steel	1PCS
	H4098	Alloy	
5	MR122{873E-RS}	Chrome steel	1SET
4	H2036{NO.5-2}	Alloy	1PCS
3	MS073	Rubber	1PCS
2	H2051B	Alloy	1PCS
1	MS053{872}	Rubber	1PCS

