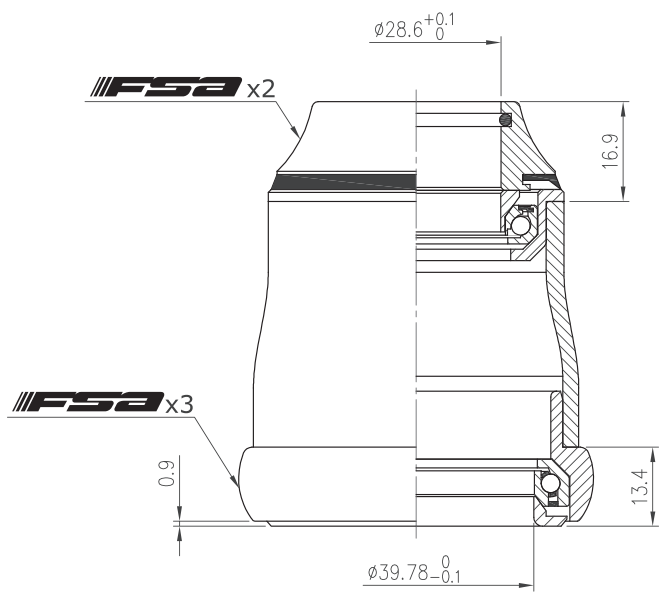
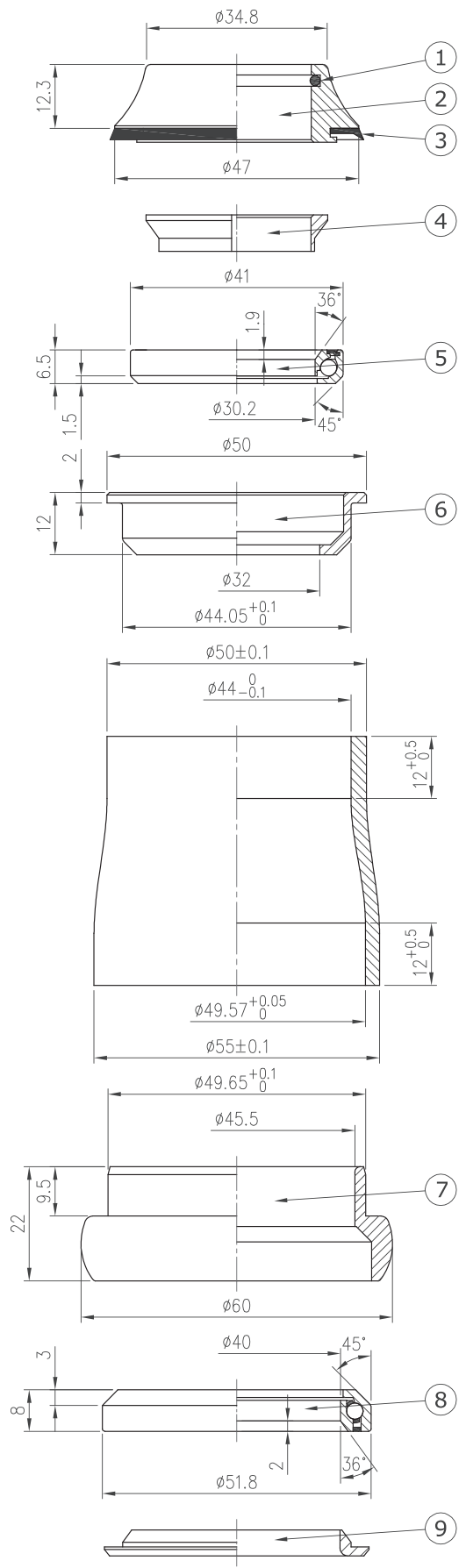


Internal Headset (CC)

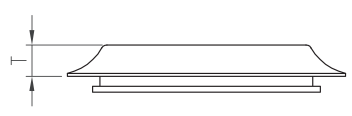
FSA DX Pro(I/E)

NO.9M/CUP/CC/NO.12B

1-1/8" / 1.5", 36° / 45° ACB



Stack Height 16.9+13.4=30.3



Custom cone spacer		
Item No	T	Stack Height
H2051C	3.3mm	21.3mm
H2051A	5.3mm	23.3mm
H2051J	8.2mm	26.2mm
H2051G	17.3mm	35.3mm
H2051E	22.3mm	40.3mm
H2051H	27.3mm	45.3mm



Weight - 138.6 grams

- For tapered 50mm / 55mm OD head tube
- For 1-1/8" to 1.5" tapered fork
- Upper : Alloy or steel cup with ACB (Black seal)
- Lower : Alloy cup with 1.5" ACB (Black seal)

No	Item No	Material	Qty
⑨	H6083{NO.42/ACB-6}	Alloy	1PCS
⑧	MR127{073E-RS}	Chrome steel	1SET
⑦	H5059{FSA DX Pro-5}	Alloy	1PCS
⑥	H4098-T	Steel	1PCS
	H4098	Alloy	
⑤	MR122{873E-RS}	Chrome steel	1SET
④	H2036{NO.5-2}	Alloy	1PCS
③	MS073	Rubber	1PCS
②	H2051B	Alloy	1PCS
①	MS053{872}	Rubber	1PCS

