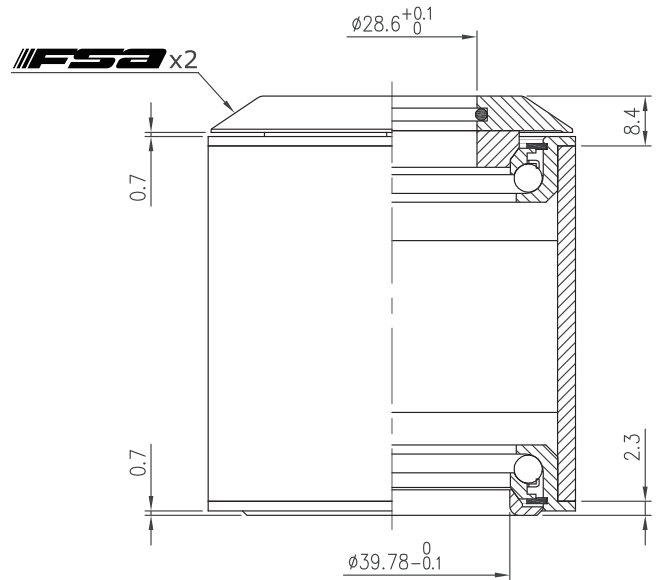
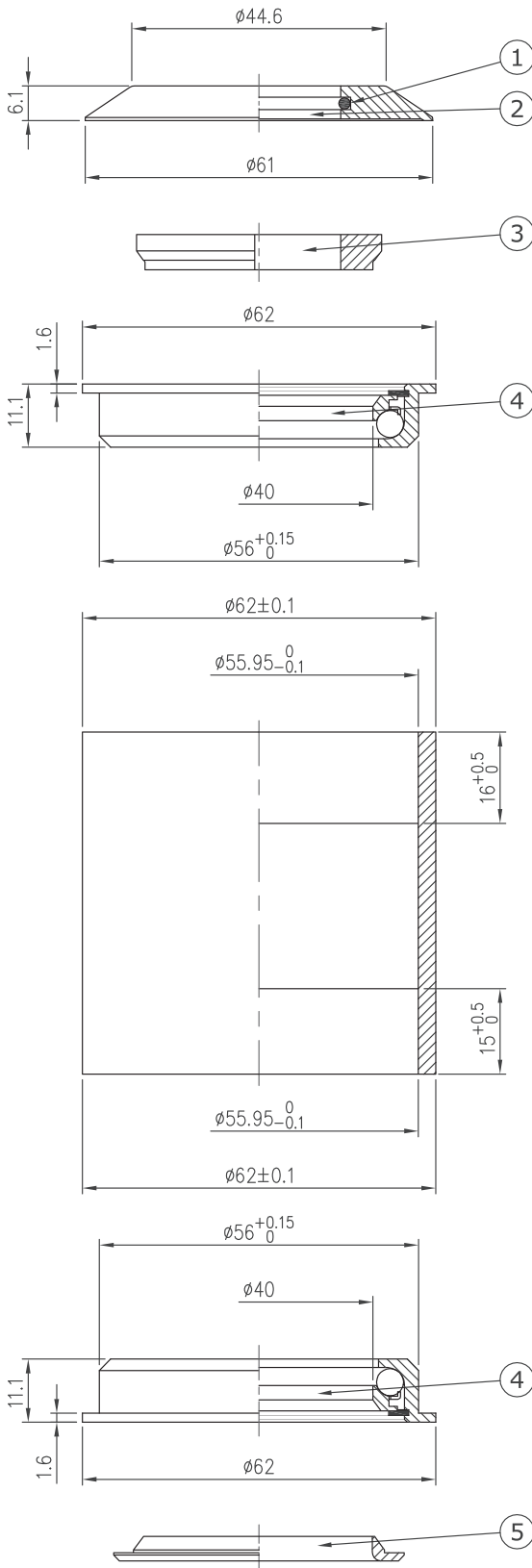


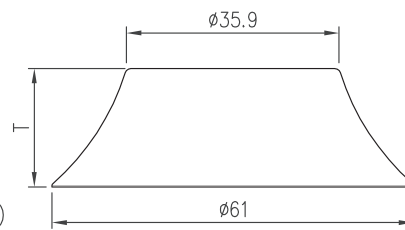
Internal Headset (CC)

NO.55R/57SC

1-1/8"/ 1.5", Semi-cartridge bearing



Stack Height 8.4+2.3=10.7



Custom cone spacer		
Item No	T	Stack Height
H2482	20mm	24.6mm



Weight - 165.8 grams

- For 62mm OD head tube
- For 1-1/8" to 1.5" tapered fork
- Alloy top cover
- Chromoly cups with integrated semi-cartridge bearing

No	Item No	Material	Qty
⑤	H6078{NO.55-6}	Steel	1PCS
④	MR225{NO.57SC-N}	Chrome steel	2SETS
③	H2286{NO.55R/1.5-2}	Alloy	1PCS
②	H2285{NO.55R/1.5-2}	Alloy	1PCS
①	MS053{872}	Rubber	1PCS

