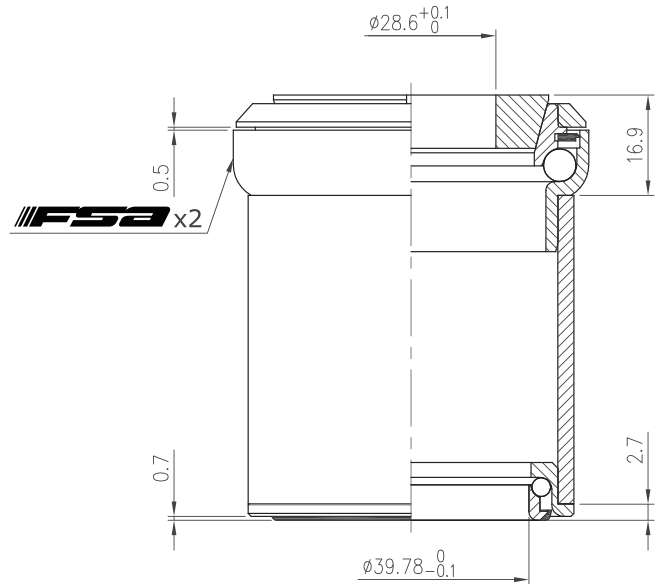
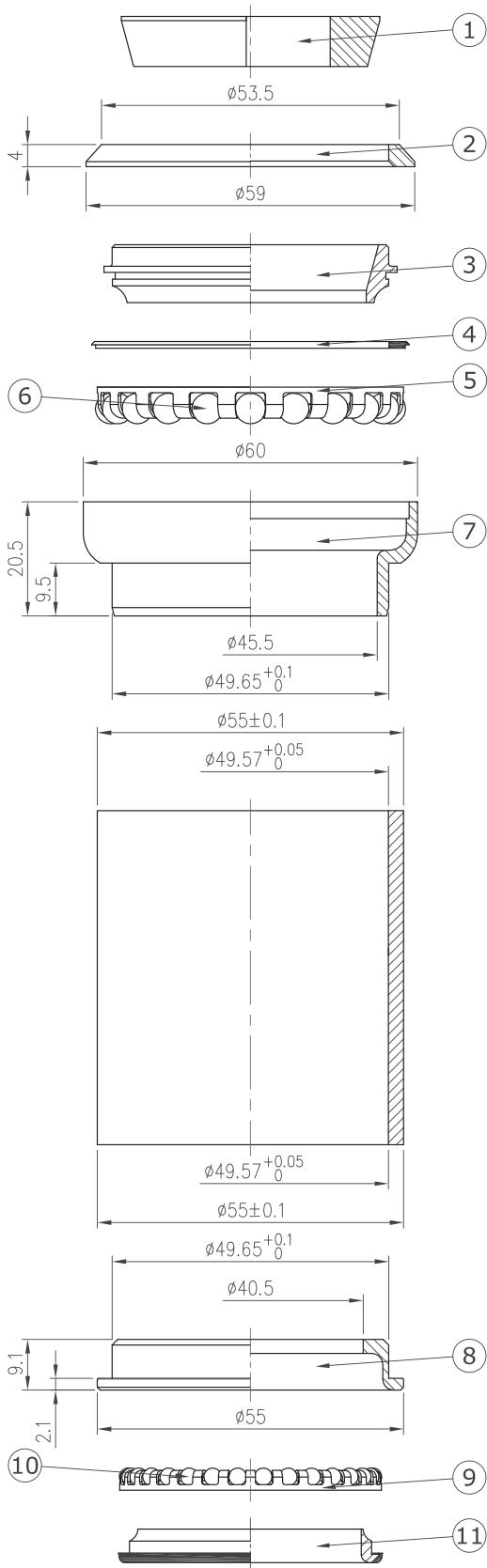


# Threadless Headset

## FSA 4 (E/I)

### NO.7BY/Orbit E 1.5

1-1/8" / 1.5", Retainer bearings



Stack Height 16.9+2.7=19.6



Weight - 322.8 grams

- For 55mm OD head tube
- For 1-1/8" to 1.5" tapered fork
- Forged steel upper cup and CNC machined lower cup
- Upper : Super oversized  $\Phi 7/32$ "x20 retainer bearings  
Lower :  $\Phi 1/8$ "x30 retainer bearings

No	Item No	Material	Qty
⑪	H6125{Orbit E 1.5-6}	Steel w/ rubber sealed	1PCS
⑩	MR048{ $\Phi 1/8$ "}	Chrome steel	30PCS
⑨	MR101{ $\Phi 1/8$ "x30}	Steel	1PCS
⑧	H4160{Orbit E 1.5-4-5}	Steel	1PCS
⑦	H4114{NO.60ST-4-5}	Steel	1PCS
⑥	MR005{ $\Phi 7/32$ "}	Chrome steel	20PCS
⑤	MR068{ $\Phi 7/32$ "x20}	Steel	1PCS
④	MS096{NO.60-4-6}	Rubber	1PCS
③	H3083{NO.60-3B}	Steel	1PCS
②	H3082{NO.60-3A}	Alloy	1PCS
①	H2107{NO.60-2}	Alloy	1PCS

