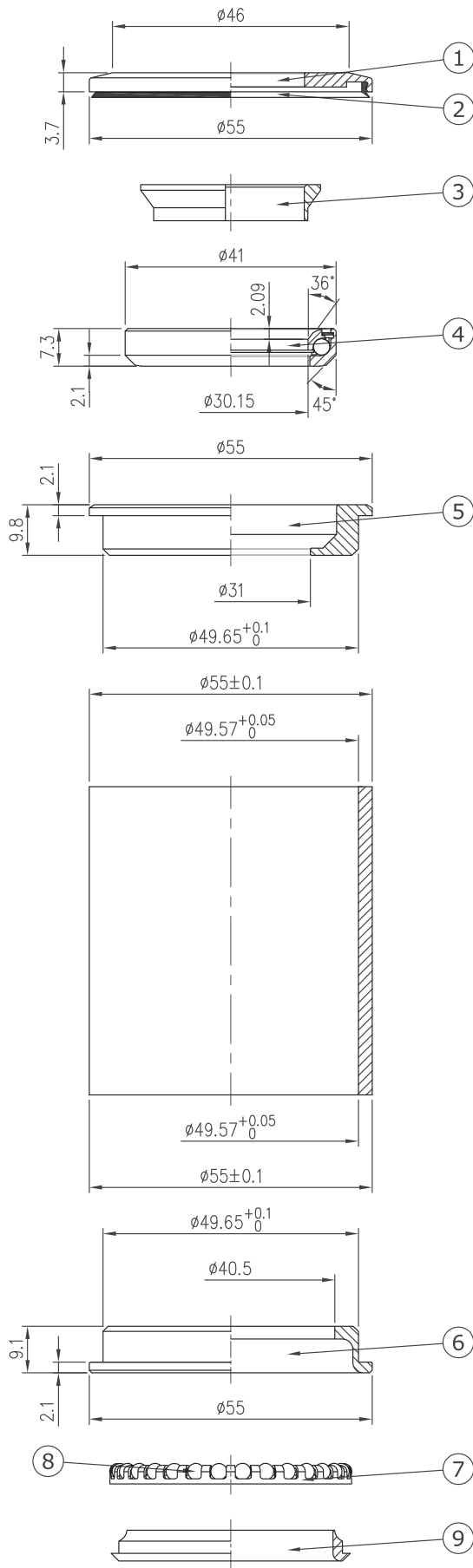


# Internal Headset (CC)

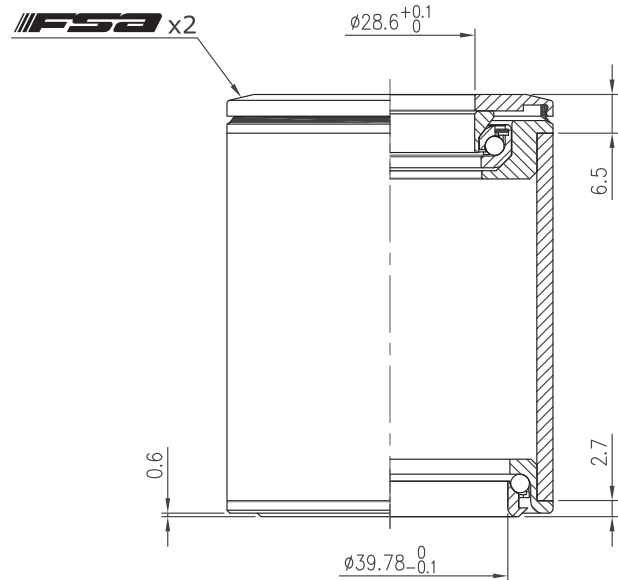
## FSA 2 (I/I)

NO.9M/CUP/CC 1.5R/Orbit E 1.5

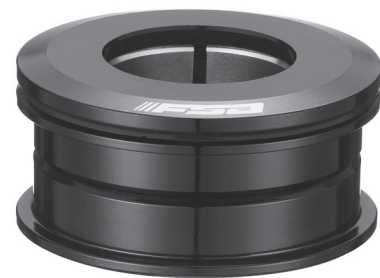
1-1/8"/ 1.5", 36°/ 45° ACB-Upper  
Retainer bearings-Lower



- For 55mm OD head tube
- For 1-1/8" to 1.5" tapered fork
- Upper : Alloy or steel cup with ACB (Black seal)
- Lower : Ø1/8"x30 retainer bearings



Stack Height 6.5+2.7=9.2



Weight - 256.9 grams

No	Item No	Material	Qty
9	H6125{Orbit E 1.5-6}	Steel	1PCS
8	MR048{Φ1/8"}	Chrome steel	30PCS
7	MR101{Φ1/8"x30}	Steel	1PCS
6	H4160 {Orbit E 1.5-4-5}	Steel	1PCS
5	H4104{Orbit Z 1.5}-T	Steel	1PCS
	H4104{Orbit Z 1.5}	Alloy	
4	MR040{873/DJ-RS}	Chrome steel	1SET
3	H2036{NO.5-2}	Alloy	1PCS
2	MS194{NO.9M/CUP/CC-1.5R}	Steel w/ rubber sealed	1PCS
1	H2232A{NO.9M/CUP/CC-1.5R-2}	Alloy	1PCS

