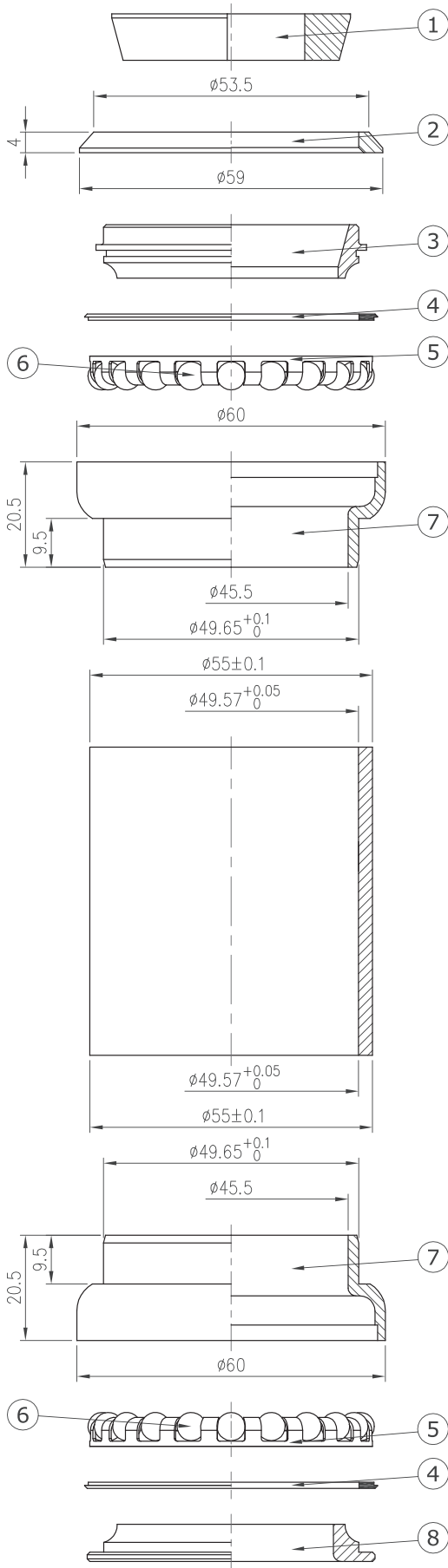


# Threadless Headset

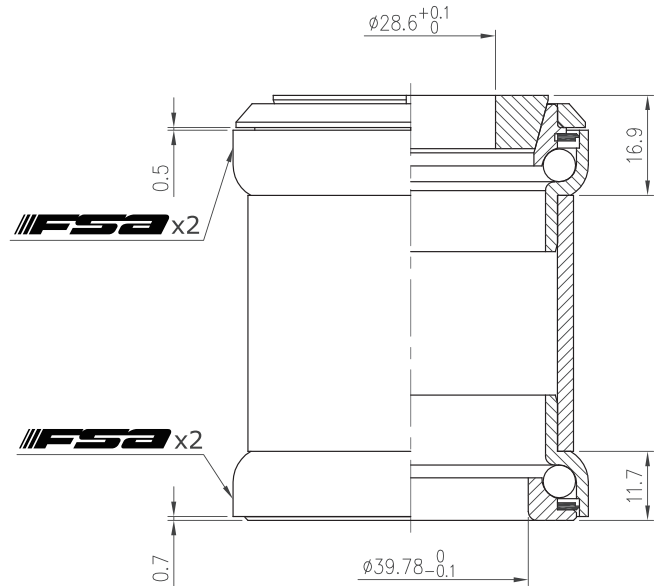
## FSA 3 (E/E)

### NO.7BY/NO.7B

1-1/8" / 1.5", Retainer bearings



- For 55mm OD headtube
- For 1-1/8" to 1.5" tapered fork
- CNC machined steel cups
- Super oversized  $\Phi 7/32$ "x20 retainer bearings



Stack Height  $16.9 + 11.7 = 28.6$



Weight - 216.7 grams

No	Item No	Material	Qty
⑧	H6050{NO.7B-6}	Steel	1PCS
⑦	H4114{NO.60ST-4-5}	Steel	2PCS
⑥	MR005{ $\Phi 7/32$ "}	Chrome steel	40PCS
⑤	MR068{ $\Phi 7/32$ "x20}	Steel	2PCS
④	MS096{NO.60-4-6}	Rubber	2PCS
③	H3083{NO.60-3B}	Steel	1PCS
②	H3082{NO.60-3A}	Alloy	1PCS
①	H2107{NO.60-2}	Alloy	1PCS

