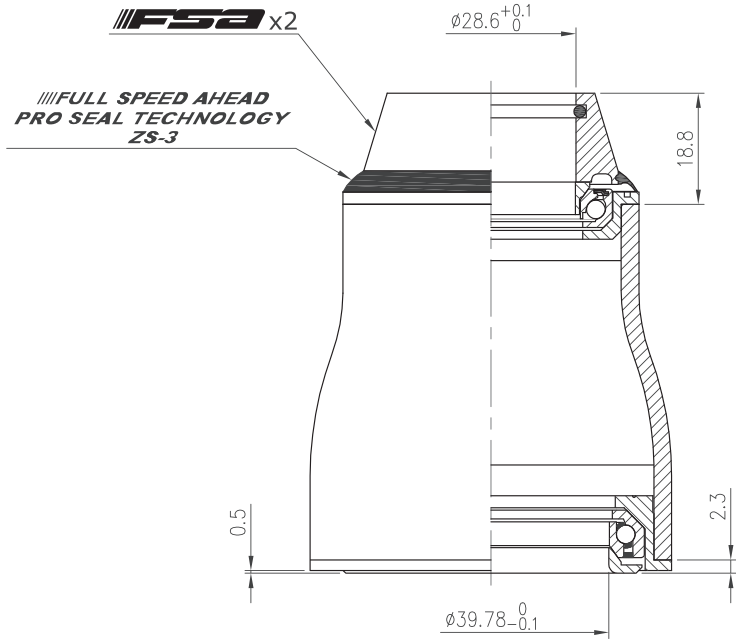
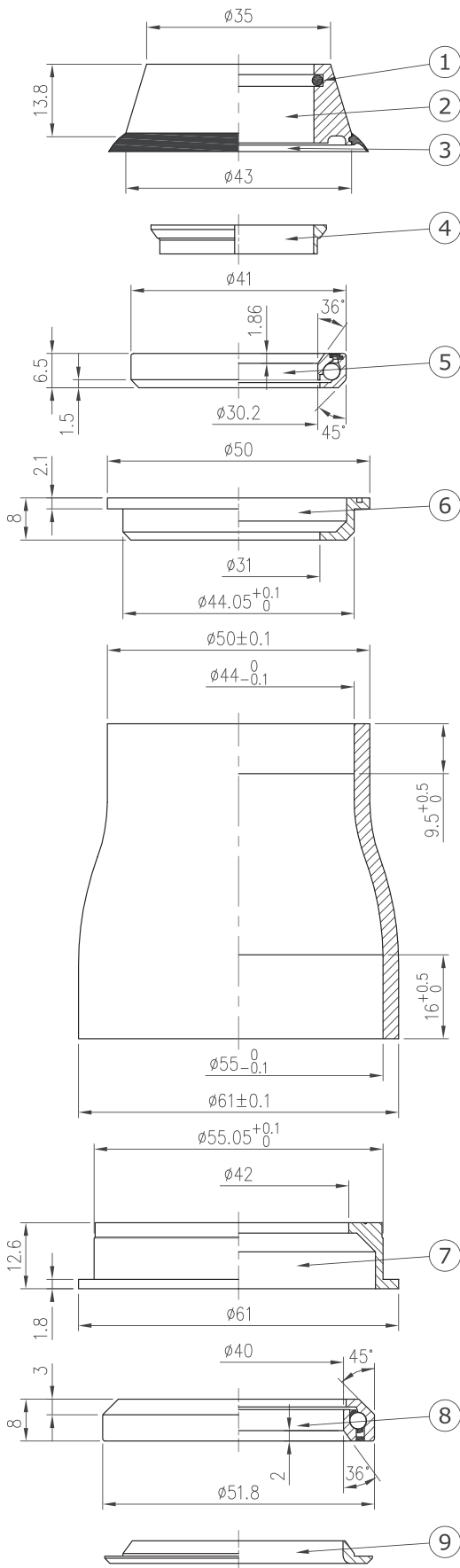


Internal Headset (CC)

FSA SX Pro (I/I)

NO.55

1-1/8" / 1.5", 36° / 45° ACB



Stack Height 18.8+2.3=21.1



Custom cone spacer		
Item No	T	Stack Height
H2090A	3.5mm	10.8mm
H2090D	18.8mm	26.1mm
H2090F	28.8mm	36.1mm



Weight - 110.2 grams

- For tapered 50mm / 61mm OD head tube
- For 1-1/8" to 1.5" tapered fork
- Alloy top cover
- Upper : Alloy cup with ACB (Black seal)
Lower : Alloy or steel cup with 1.5" ACB (Black seal)

No	Item No	Material	Qty
⑨	H6078{NO.55-6}	Steel	1PCS
⑧	MR127{073E-RS}	Chrome steel	1SET
⑦	H5064{NO.55-5}-T	Steel	1PCS
	H5064{NO.55-5}	Alloy	
⑥	H4101{ZS-2-1-1/8"}	Alloy	1PCS
⑤	MR122{873E-RS}	Chrome steel	1SET
④	H2048{WCS-1-1/8"-2}	Alloy	1PCS
③	MS098{ZS-3}	P.P	1PCS
②	H2090C{ZS-3-2}	Alloy	1PCS
①	MS053{872}	Rubber	1PCS

