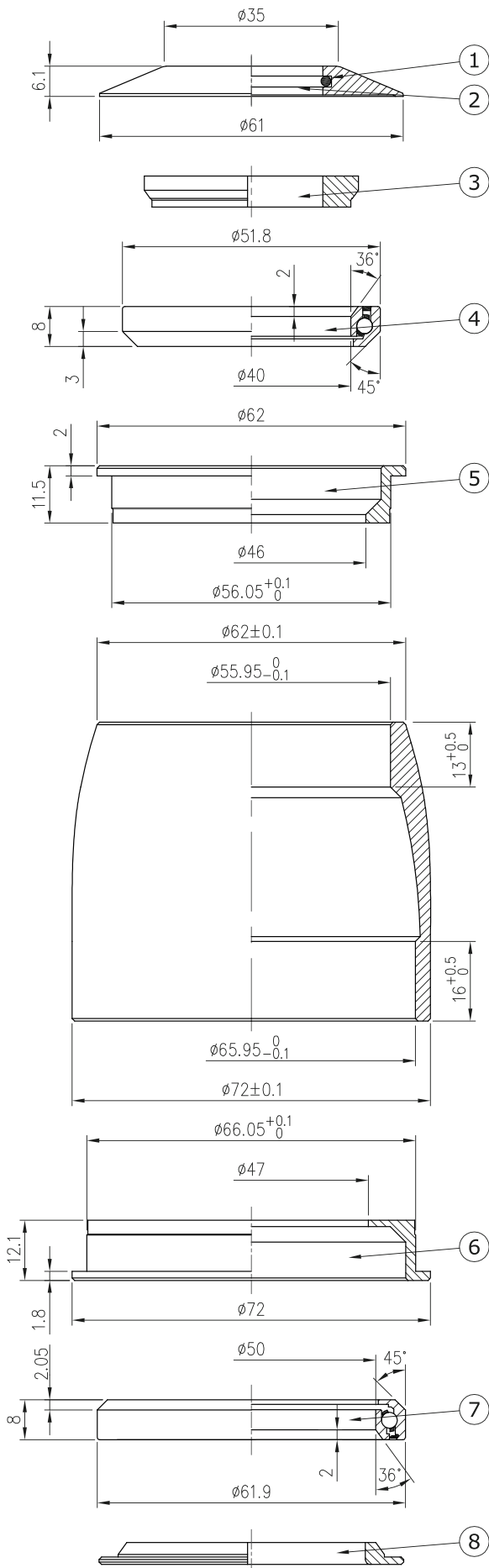


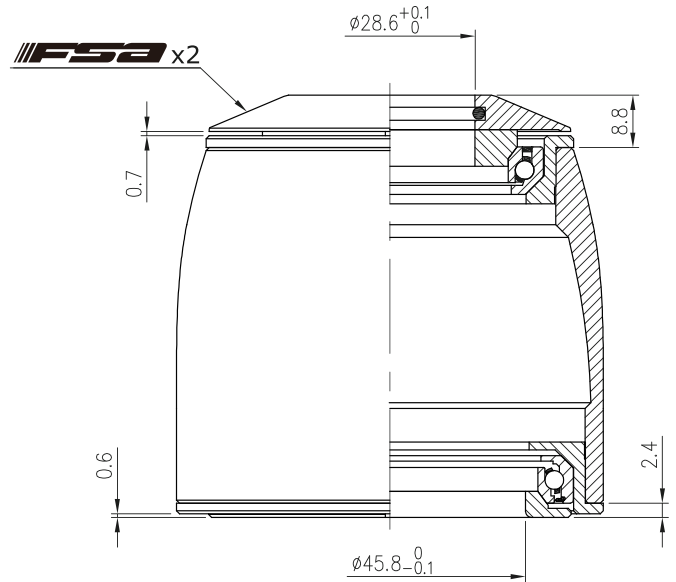
Internal Headset(CC)

NO.55R/35/1.8"

1-1/8" / 1.8", 36° / 45° ACB



- For tapered 62mm / 72mm OD head tube
- For 1-1/8" to 1.8" tapered fork
- Angular Contact Bearing (Black seal)



Stack Height 8.8+2.4=11.2



Weight - 139.1 grams

No	Item No	Material	Qty
⑧	H6161	Alloy	1PCS
⑦	MR229{1.8"E}	Chrome steel	1SET
⑥	H5118	Alloy	1PCS
⑤	H5068{NO.57-5}	Alloy	1PCS
④	MR127{073E-RS}	Chrome steel	1SET
③	H2286{NO.55R/1.5-2}	Alloy	1PCS
②	H2522{NO.55R/35/1.8"-2}	Alloy	1PCS
①	MS053{872}	Rubber	1PCS

