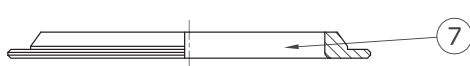
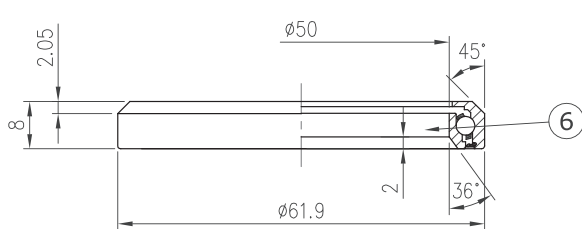
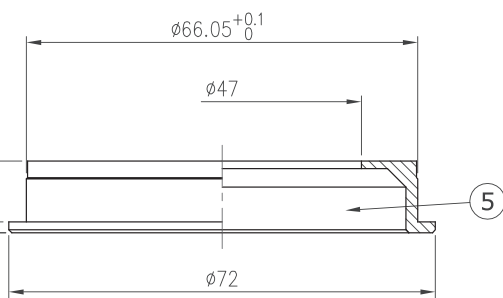
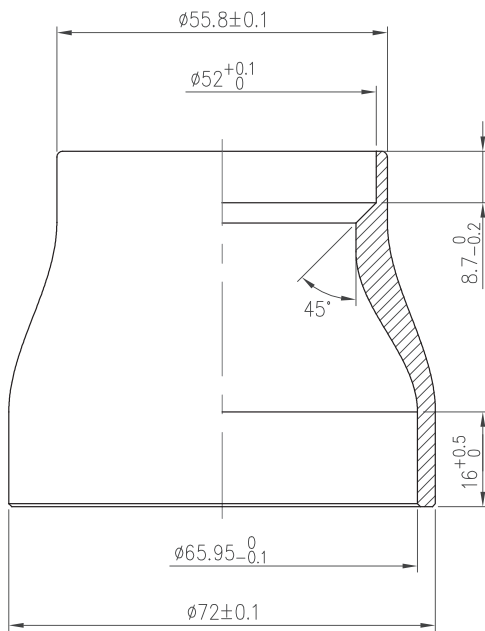
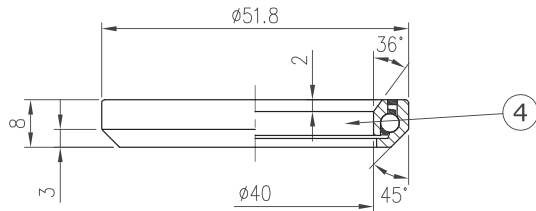
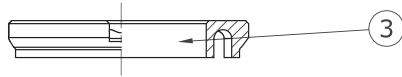
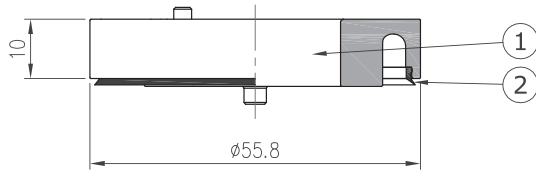


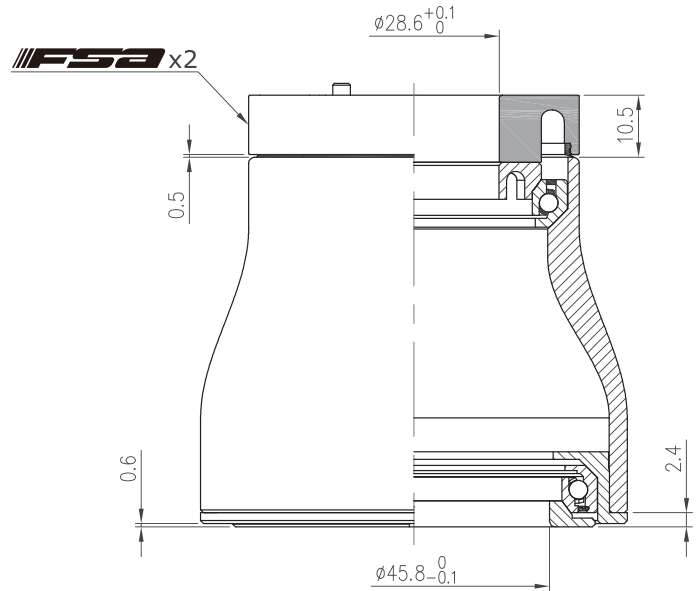
# Internal Headset (CC)

## NO.55R 1.8"/CUP/ICR

1-1/8" / 1.8", 36° / 45° ACB



- For tapered 55.8mm / 72mm OD head tube
- For 1-1/8" to 1.8" tapered fork
- CR top cover
- Angular Contact Bearing (Black seal)



Stack Height 10.5+2.4=12.9



Weight - 102.8 grams

| No | Item No                  | Material                  | Qty  |
|----|--------------------------|---------------------------|------|
| ⑦  | H6161                    | Alloy                     | 1PCS |
| ⑥  | MR229{1.8"E}             | Chrome steel              | 1SET |
| ⑤  | H5118                    | Alloy                     | 1PCS |
| ④  | MR127{073E-RS}           | Chrome steel              | 1SET |
| ③  | H2474{NO.55R 1.5/ACR}    | Alloy                     | 1PCS |
| ②  | MS194{NO.9M/CUP/CC/1.5R} | Steel w/<br>rubber sealed | 1PCS |
| ①  | H2473{NO.55R 1.5/CR/STD} | Nylon                     | 1PCS |

