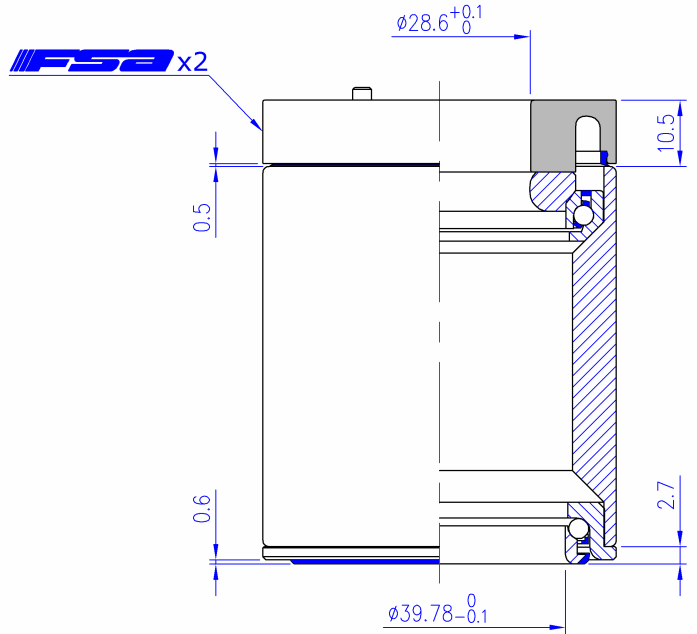
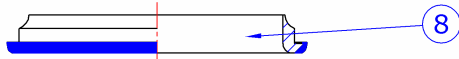
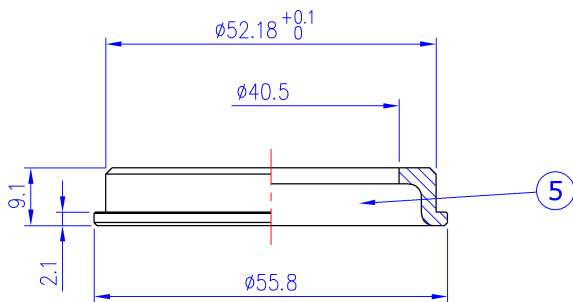
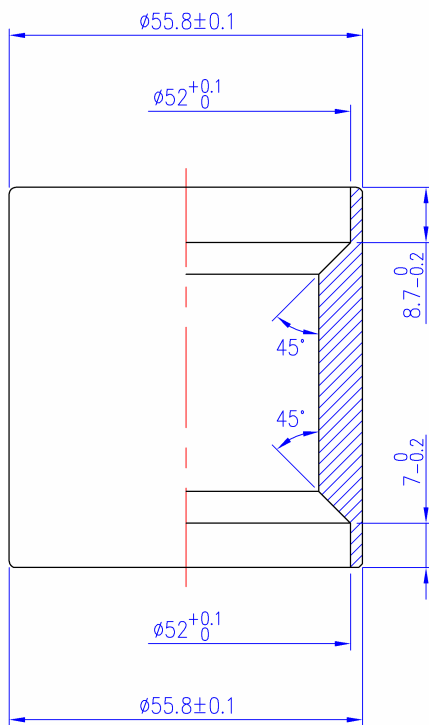
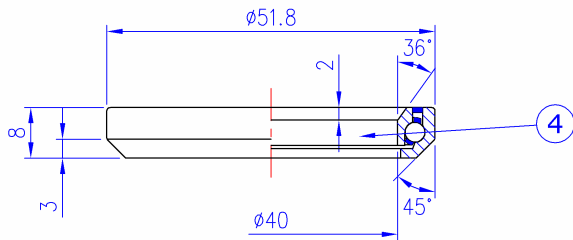
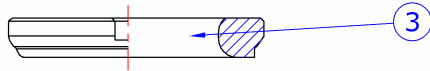
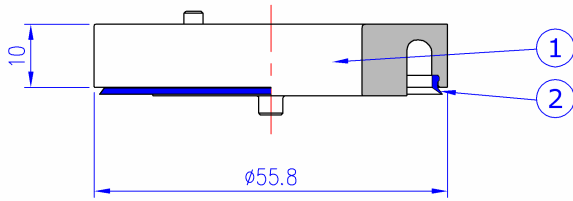


Internal Headset

NO.55R 1.5"/ICR/B(防水圈版)

1-1/8", 36°/ 45° ACB-Upper
1.5", Retainer bearings-Lower



Stack Height 10.5+2.7=13.2

- For 55.8mm OD head tube
- For 1-1/8" to 1.5" tapered fork
- CR top cover
- Angular Contact Bearing (Black seal)

No	Item No	Material	Qty
⑧	H6125{Orbit E 1.5-6}	Steel w/ rubber sealed	1PCS
⑦	MR048{Φ1/8"}	Chrome steel	30PCS
⑥	MR101{Φ1/8"x30}	Steel	1PCS
⑤	H5122 {NO.55R 1.5"/ICR/B-5}	Steel	1PCS
④	MR127{073E-RS}	Chrome steel	1SET
③	H2474{NO.55R 1.5"/CR}	Alloy	1PCS
②	MS194{NO.9M/CUP/CC/1.5R}	Steel w/ rubber sealed	1PCS
①	H2473{NO.55R 1.5"/CR/STD}	Nylon	1PCS

