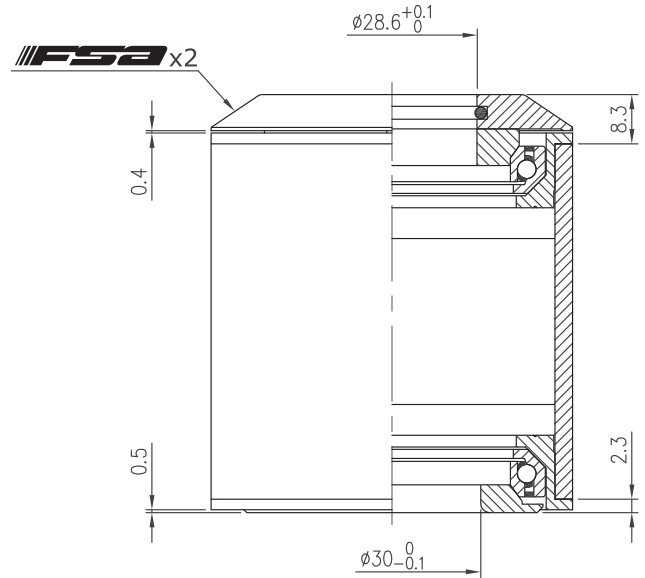
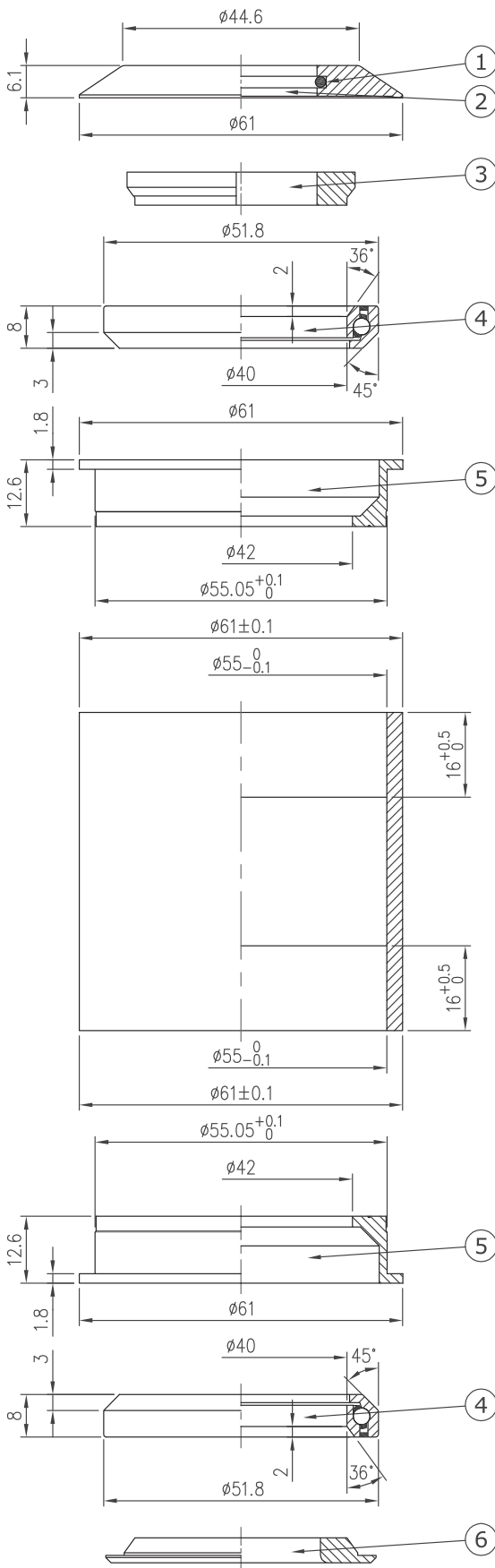


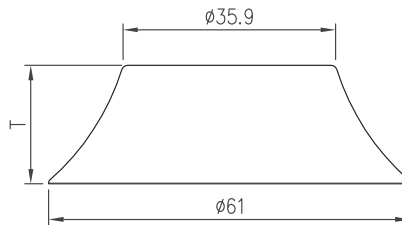
# Internal Headset (CC)

## NO.55R-1 1.5"

1-1/8", 36°/ 45° ACB



Stack Height 8.3+2.3=10.6



Custom cone spacer		
Item No	T	Stack Height
H2482	20mm	24.5mm



Weight - 149 grams

- For 61mm OD head tube
- 1-1/8" steerer
- Alloy top cover
- Alloy or steel deeper cups
- 1.5" Angular Contact Bearing (Black seal)

No	Item No	Material	Qty
⑥	H6079{NO.55-1-6}	Steel	1PCS
⑤	H5064{NO.55-5}-T	Steel	2PCS
	H5064{NO.55-5}	Alloy	
④	MR127{073E-RS}	Chrome steel	2SETS
③	H2286{NO.55R/1.5-2}	Alloy	1PCS
②	H2285{NO.55R/1.5-2}	Alloy	1PCS
①	MS053{872}	Rubber	1PCS

