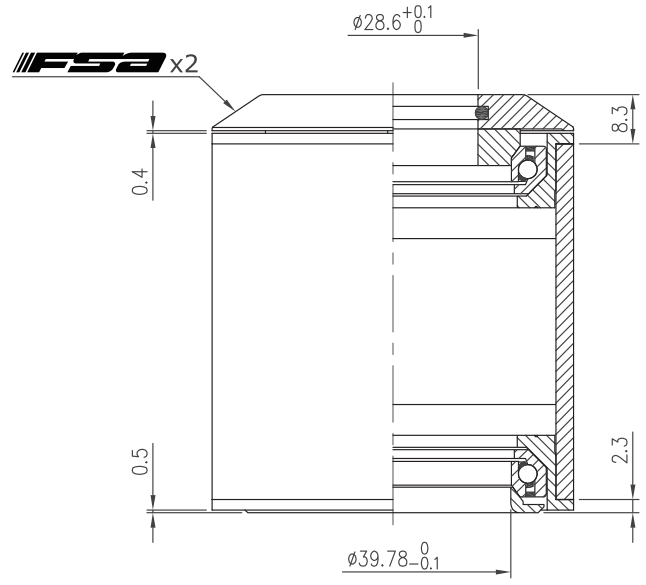
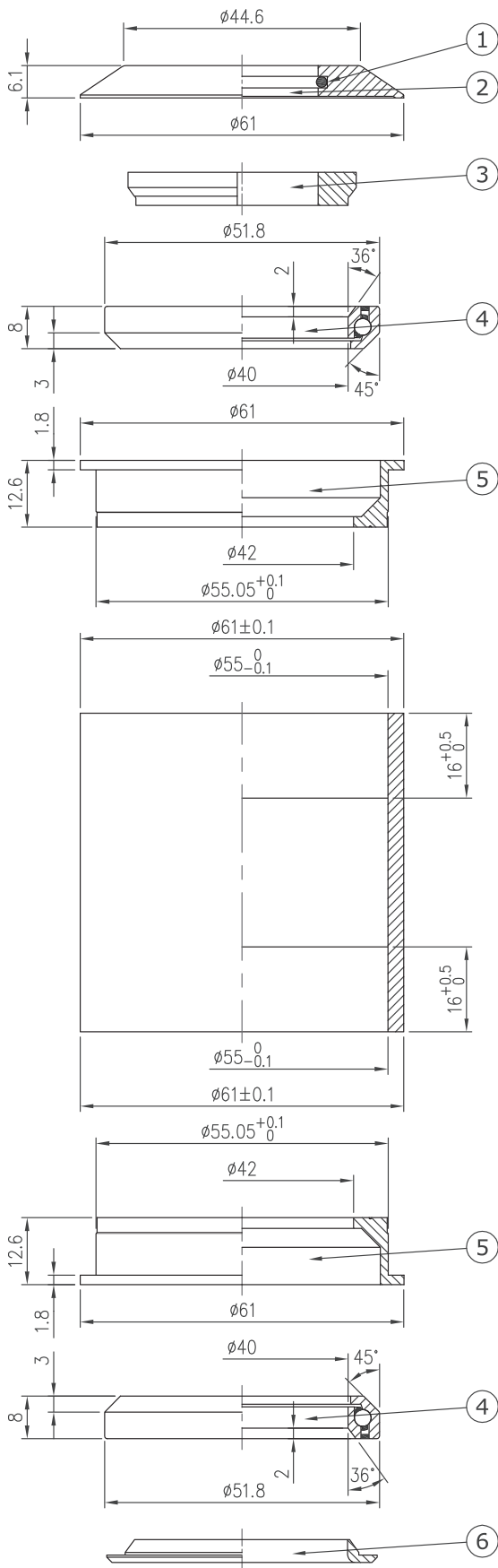


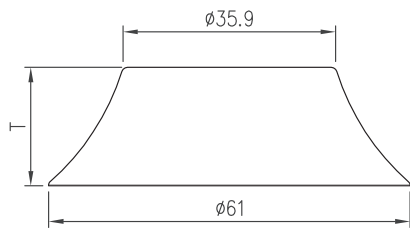
Internal Headset (CC)

NO.55R 1.5"

1-1/8" / 1.5", 36° / 45° ACB



Stack Height 8.3+2.3=10.6



| Custom cone spacer | | |
|--------------------|------|--------------|
| Item No | T | Stack Height |
| H2482 | 20mm | 24.5mm |



Weight - 142 grams

- For 61mm OD head tube
- For 1-1/8" to 1.5" tapered fork
- Alloy top cover
- Alloy or steel deeper cups
- 1.5" Angular Contact Bearing (Black seal)

| No | Item No | Material | Qty |
|----|---------------------|--------------|-------|
| ⑥ | H6078{NO.55-6} | Steel | 1PCS |
| ⑤ | H5064{NO.55-5}-T | Steel | 2PCS |
| | H5064{NO.55-5} | Alloy | |
| ④ | MR127{073E-RS} | Chrome steel | 2SETS |
| ③ | H2286{NO.55R/1.5-2} | Alloy | 1PCS |
| ② | H2285{NO.55R/1.5-2} | Alloy | 1PCS |
| ① | MS053{872} | Rubber | 1PCS |

