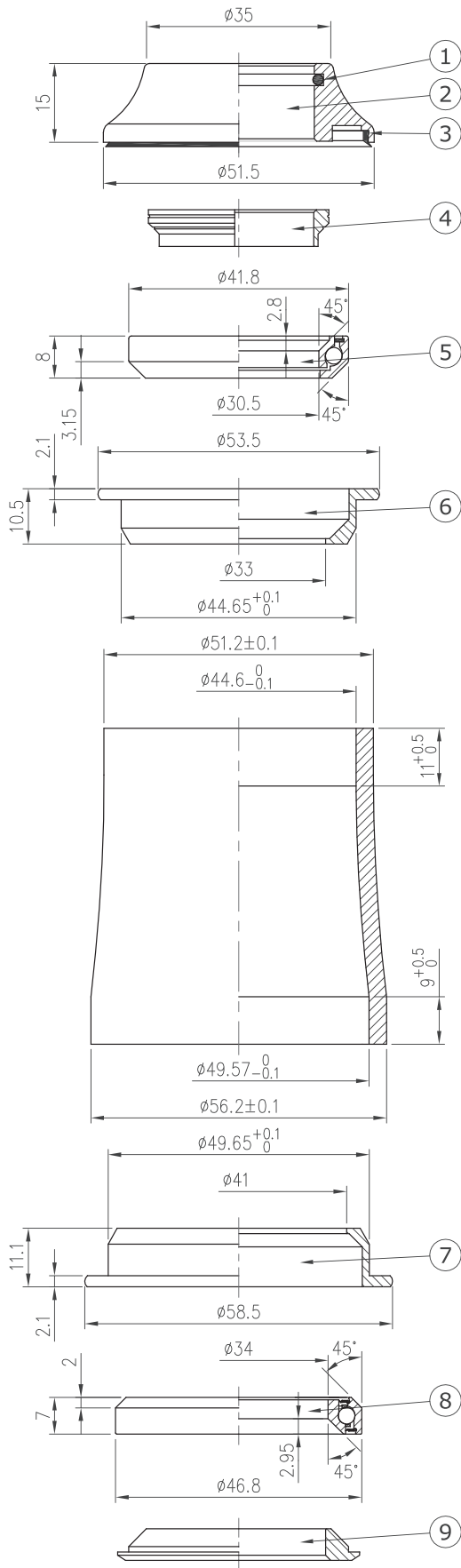


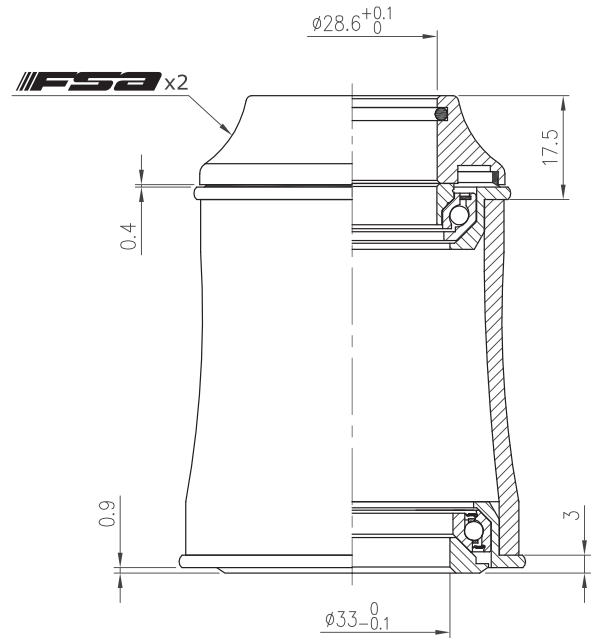
Integrated Headset (CA)

NO.63/51

1-1/8" / 1-1/4", 45° / 45° ACB



- For tapered 51.2mm / 56.2mm OD head tube
- For 1-1/8" to 1-1/4" tapered fork
- Alloy top cover
- Upper : Alloy or steel cup with ACB (Black seal)
Lower : Alloy or steel cup with 1-1/4" ACB (Black seal)



Stack Height 17.5+3=20.5



Weight - 109.4 grams

No	Item No	Material	Qty
⑨	H6080{NO.52-6}	Alloy	1PCS
⑧	MR168{970E-RS}	Chrome steel	1SET
⑦	H5075{NO.63-5}-T	Steel	1PCS
	H5075{NO.63-5}	Alloy	
⑥	H4138{NO.63-4}-T	Steel	1PCS
	H4138{NO.63-4}	Alloy	
⑤	MR121{870E-RS}	Chrome steel	1SET
④	H2081A{NO.8-2}	Alloy	1PCS
③	MS170{NO.53}	Steel w/ rubber sealed	1PCS
②	H2297	Alloy	1PCS
①	MS053{872}	Rubber	1PCS

