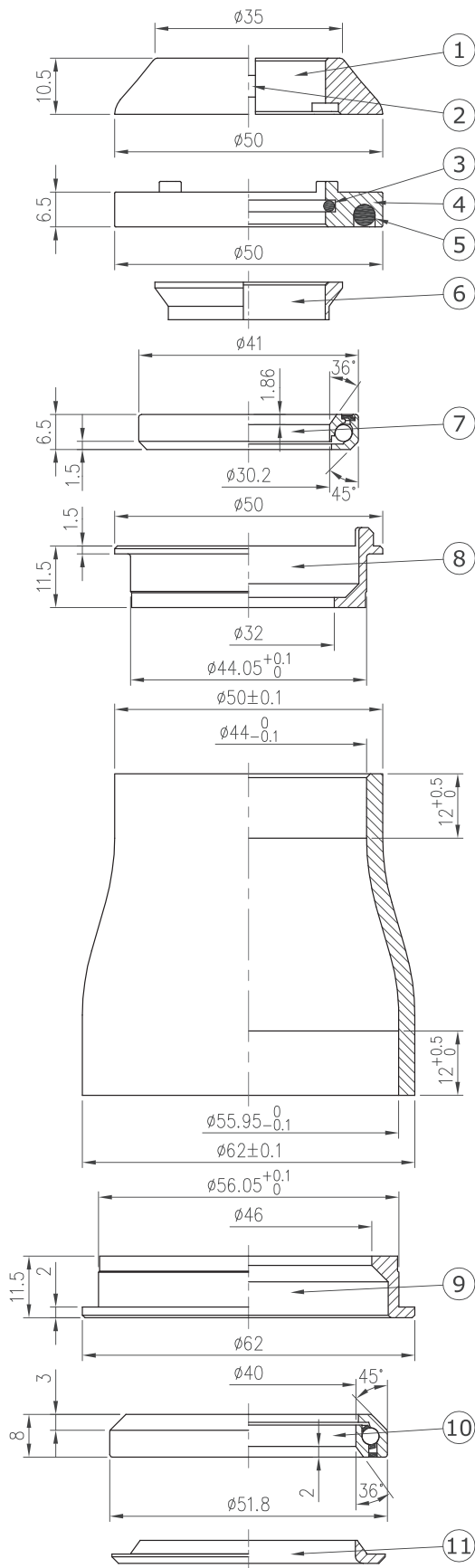


Internal Headset (CC)

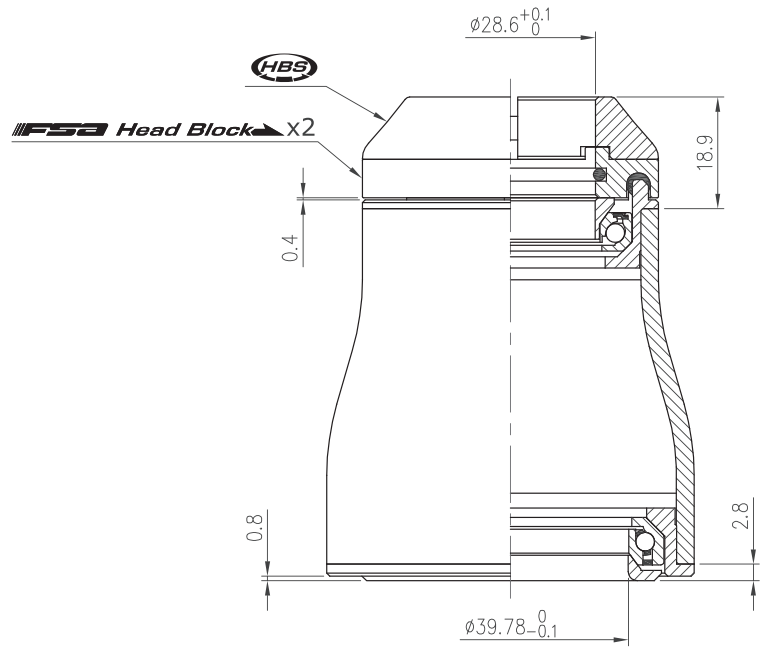
Orbit 1.5 ZS

NO.57-HBS

1-1/8" / 1.5", 36° / 45° ACB



- Headset Blocking System
- For tapered 50mm / 62mm OD head tube
- For 1-1/8" to 1.5" tapered fork
- Alloy headset blocking design top cover
- Rotation angle 130°
- Upper : Alloy cup with ACB (Black seal)
- Lower : Alloy or steel cup with 1.5" ACB (Black seal)



Stack Height 18.9+2.8=21.7



Weight - 128.9 grams

No	Item No	Material	Qty
11	H6088{NO.57-6}	Alloy	1PCS
10	MR127{073E-RS}	Chrome steel	1SET
9	H5068{NO.57-5}-T	Steel	1PCS
	H5068{NO.57-5}	Alloy	
8	H4132{NO.57-HBS-4}	Alloy	1PCS
7	MR122{873E-RS}	Chrome steel	1SET
6	H2036{NO.5-2}	Alloy	1PCS
5	E0308{Stopper}	PU	2PCS
4	H2443{NO.57-HBS-2}	Alloy	1PCS
3	MS053{872}	Rubber	1PCS
2	ML311	Steel	1PCS
1	H2442{NO.57-HBS-2}	Alloy	1PCS

