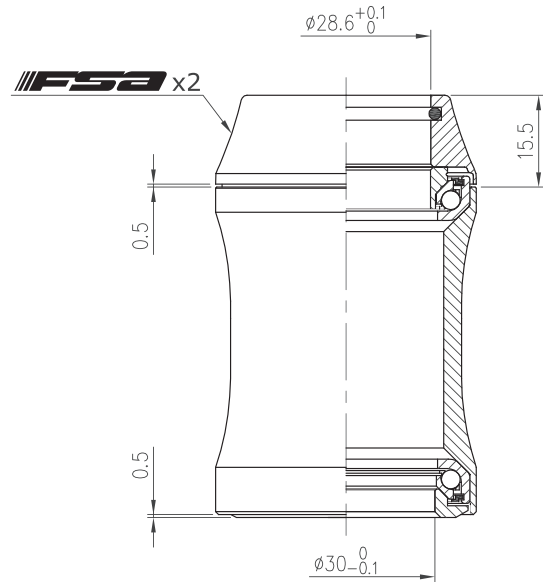
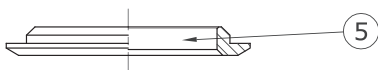
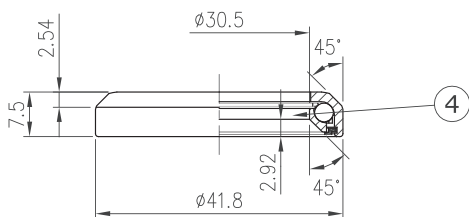
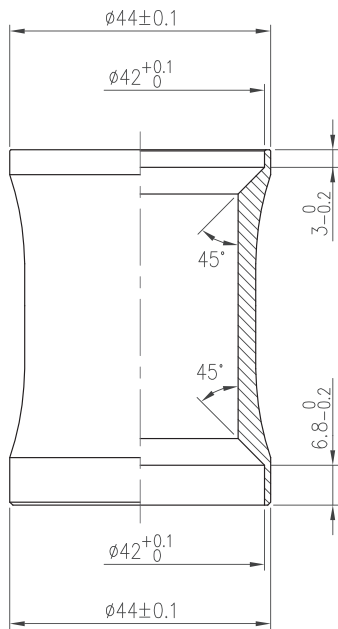
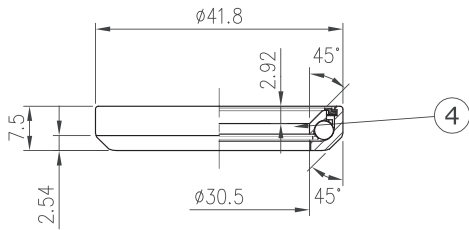
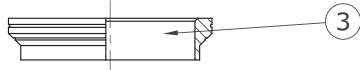
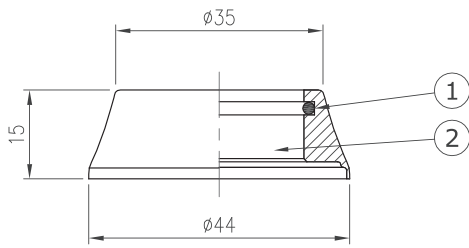


Integrated Headset (CA)

Impact

NO.8D

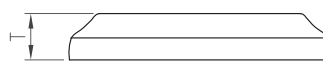
1-1/8", 45°/ 45° ACB (For BMX/Freestyle)



Stack Height $15.5+0.5=16$



Weight - 72.3 grams



Custom cone spacer		
Item No	T	Stack Height
H2152A	7.8mm	8.8mm

- GYRO Compatible
- For 44mm OD head tube
- 1-1/8" steerer
- Alloy top cover
- Campy Angular Contact Bearing (Black seal)

No	Item No	Material	Qty
⑤	H6119{NO.8-6}	Steel	1PCS
④	MR155{870/DJ-RS}	Chrome steel	2SETS
③	H2081A{NO.8-2}	Alloy	1PCS
②	H2152B{NO.8D-2}	Alloy	1PCS
①	MS053{872}	Rubber	1PCS

