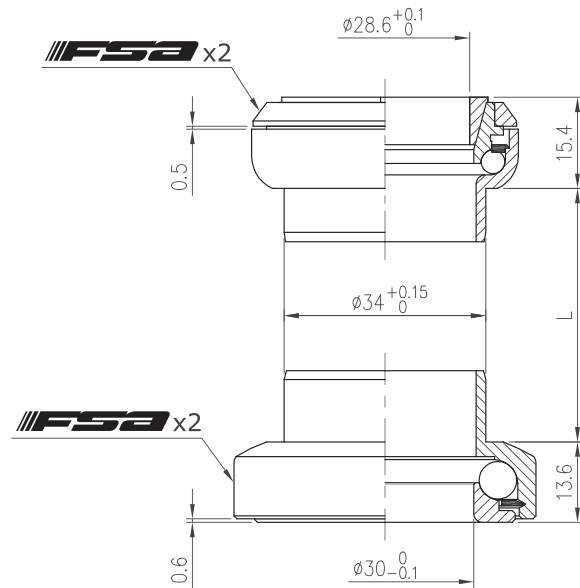
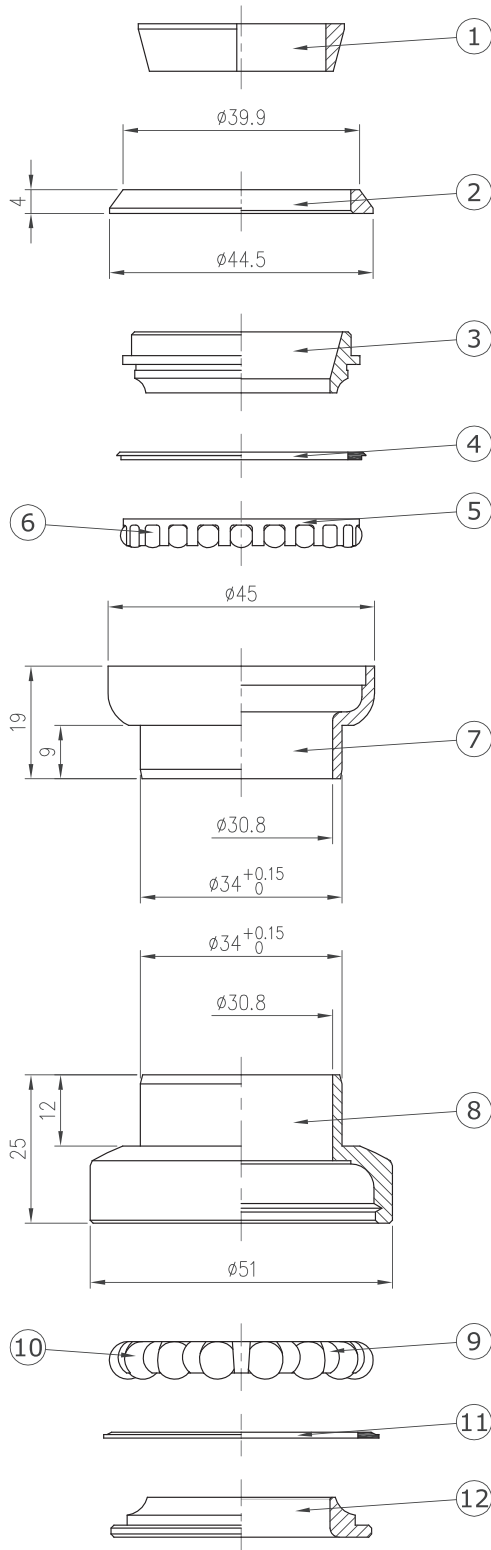


Threadless Headset

The Pig

NO.7

1-1/8", For Heavy Duty Retainer bearings



Stack Height 15.4+13.6=29



Weight - 193 grams

- 1-1/8" steerer
- GYRO compatible
- Forged and CNC machined CrMo lower cup
- Upper : $\Phi 5/32$ "x20 retainer bearings
Lower : Super oversized $\Phi 1/4$ "x15B retainer bearings

No	Item No	Material	Qty
12	H6022{NO.7-6}	Steel	1PCS
11	MS021{900-4-6}	Rubber	1PCS
10	MR003{ $\Phi 1/4$ "}	Chrome steel	15PCS
9	MR016{ $\Phi 1/4$ "x15B}	Steel	1PCS
8	H5034{NO.7-5}	CrMo	1PCS
7	H4030{NO.7-4}	Steel	1PCS
6	MR001{ $\Phi 5/32$ "}	Chrome steel	20PCS
5	MR013{ $\Phi 5/32$ "x20}	Steel	1PCS
4	MS018{800-4-6}	Rubber	1PCS
3	H3043{NO.1-3B}	Steel	1PCS
2	H3058{NO.7-3A}	Alloy	1PCS
1	H2017{875-2}	Alloy	1PCS

