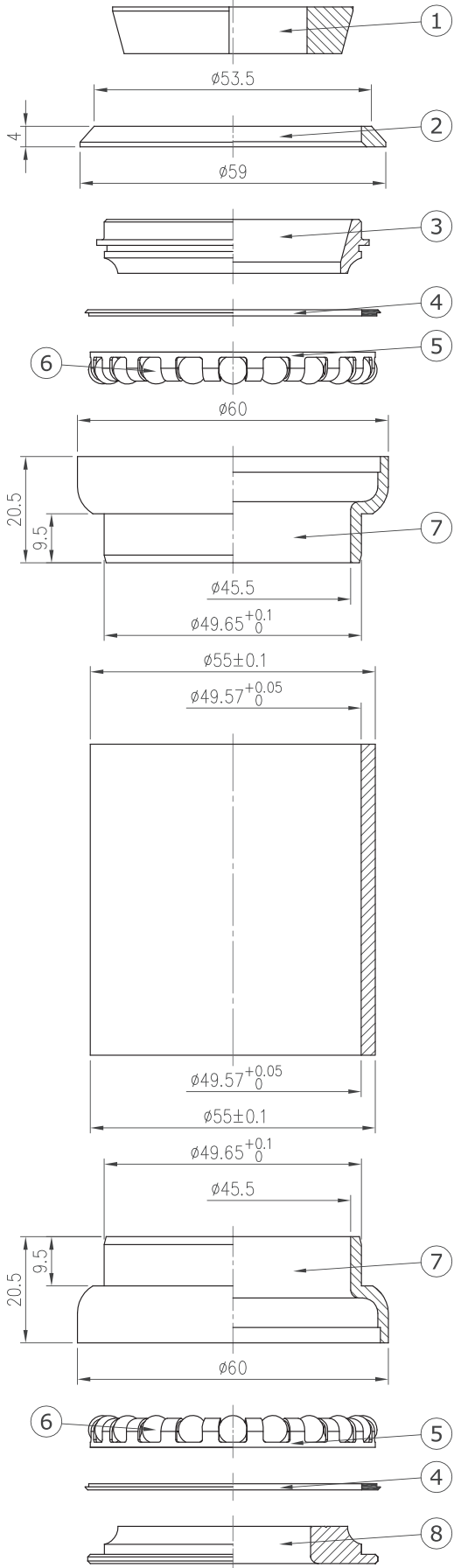


# Threadless Headset

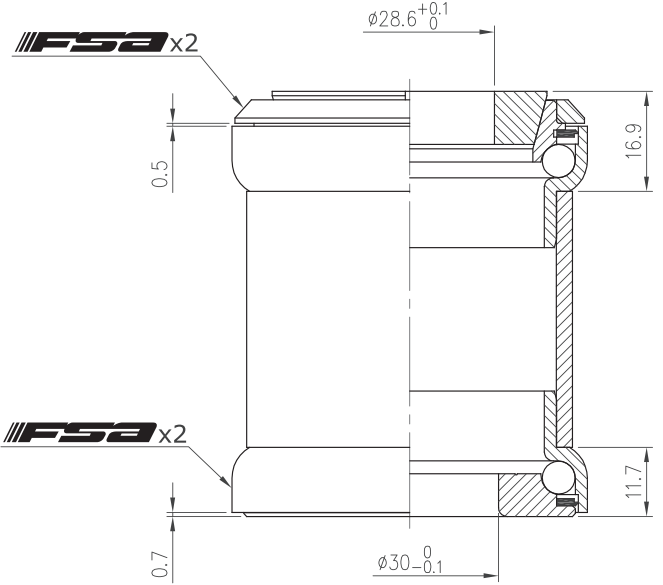
## The Big Fat Pig 1.5R

### NO.7BY

1-1/8", Retainer bearings



- For 55mm OD head tube
- For 1.5" sized head tube and 1-1/8" steerer
- Reduction design
- CNC machined steel cups
- Super oversized  $\Phi 7/32$ "x20 retainer bearings



Stack Height  $16.9 + 11.7 = 28.6$



Weight - 387 grams

No	Item No	Material	Qty
8	H6051{NO.60-6}	Steel	1PCS
7	H4114{NO.60ST-4-5}	Steel	2PCS
6	MR005{ $\Phi 7/32$ "}	Chrome steel	40PCS
5	MR068{ $\Phi 7/32$ "x20}	Steel	2PCS
4	MS096{NO.60-4-6}	Rubber	2PCS
3	H3083{NO.60-3B}	Steel	1PCS
2	H3082{NO.60-3A}	Alloy	1PCS
1	H2107{NO.60-2}	Alloy	1PCS

