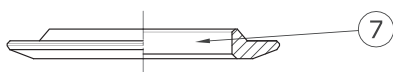
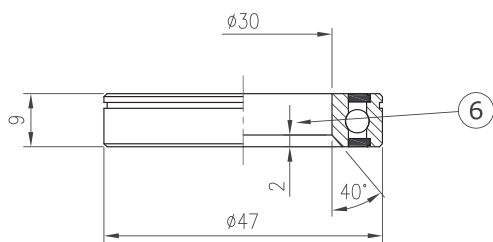
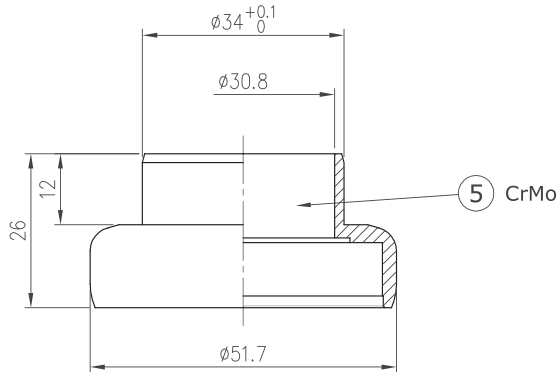
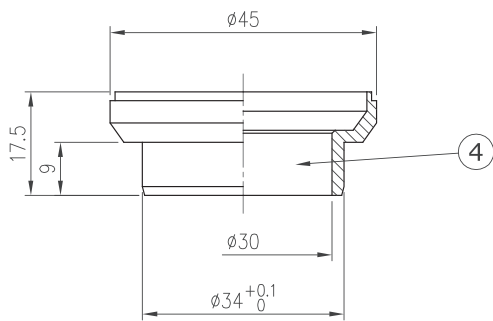
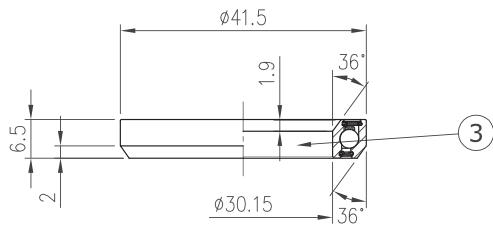
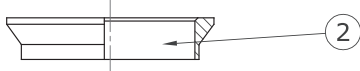
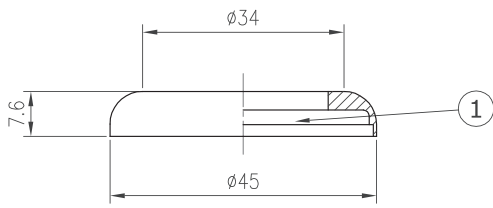


# Threadless Headset

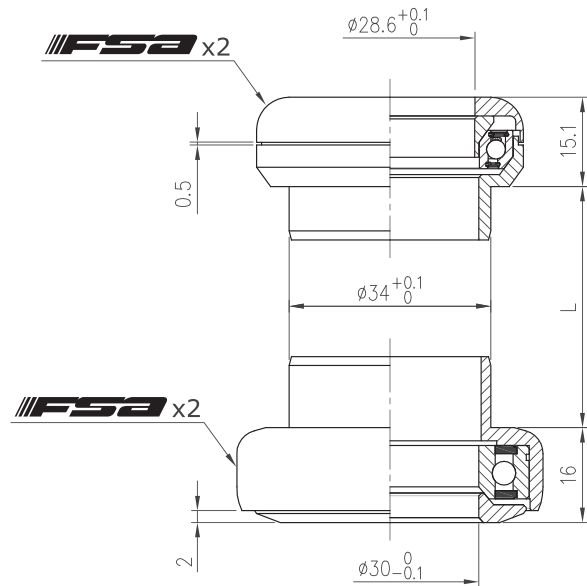
## The Pig DH Pro

### NO.15

1-1/8", For Heavy Duty  
36° / 36° ACB & Industrial bearing



- Fits standard OS headtube and 1-1/8" forks
- GYRO compatible
- 12mm "Deep Cup" design
- Alloy top cover
- Forged alloy upper cup and CrMo lower cup
- Upper : Angular Contact Bearing (Black seal)
- Lower : Industrial cartridge sealed bearing



Stack Height 15.1+16=31.1



Weight - 166 grams

No	Item No	Material	Qty
⑦	H6015{891-6}	Steel	1PCS
⑥	MR029{6906-2RS}	Chrome steel	1SET
⑤	H5029{NO.15-5}	CrMo	1PCS
④	H4069{NO.15-4}	Alloy	1PCS
③	MR043{872E-RS}	Chrome steel	1SET
②	H2036{NO.5-2}	Alloy	1PCS
①	H2061A	Alloy	1PCS

