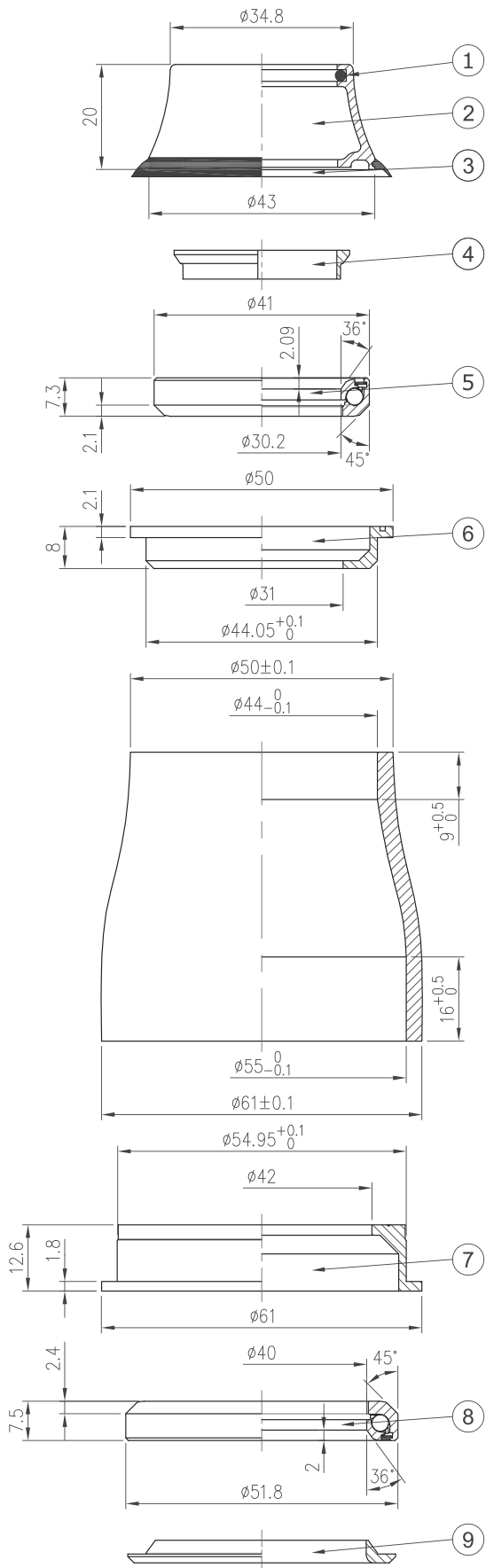


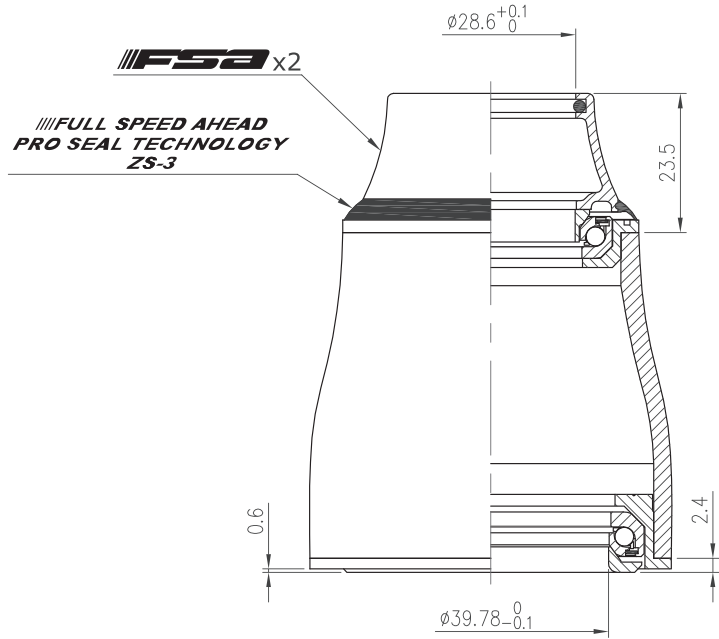
Internal Headset (CC)

NO.55E/SL

1-1/8" / 1.5", 36° / 45° ACB



- For tapered 50mm / 61mm OD head tube
- For 1-1/8" to 1.5" tapered fork
- Alloy top cover
- Upper : Alloy or steel cup with ACB (Black seal)
Lower : Alloy or steel cup with 1.5" ACB (Black seal)



Stack Height 23.5+2.4=25.9



Weight - 107 grams

No	Item No	Material	Qty
⑨	H6078{NO.55-6}	Steel	1PCS
⑧	MR019{073/DJ-RS}	Chrome steel	1SET
⑦	H5064{NO.55-5}-T	Steel	1PCS
	H5064{NO.55-5}	Alloy	
⑥	H4101{ZS-2-1-1/8"}-T	Steel	1PCS
	H4101{ZS-2-1-1/8"}	Alloy	
⑤	MR040{873/DJ-RS}	Chrome steel	1SET
④	H2048 {WCS-1-1/8"-2}	Alloy	1PCS
③	MS098{ZS-3}	P.P	1PCS
②	H2184{ZS-3/4-SL}	Alloy	1PCS
①	MS053{872}	Rubber	1PCS

