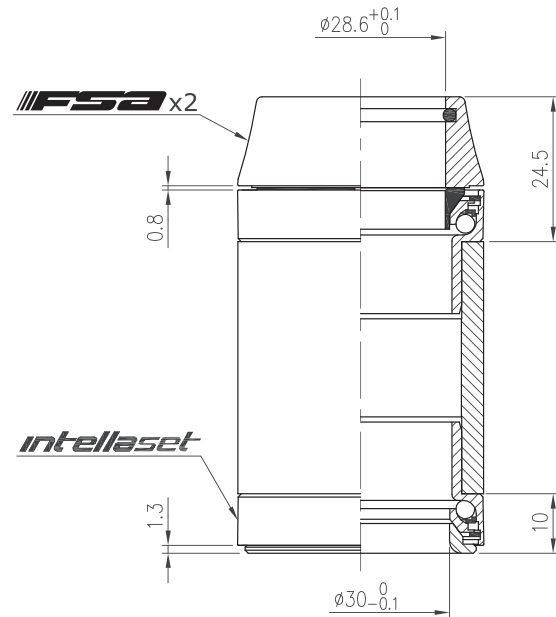
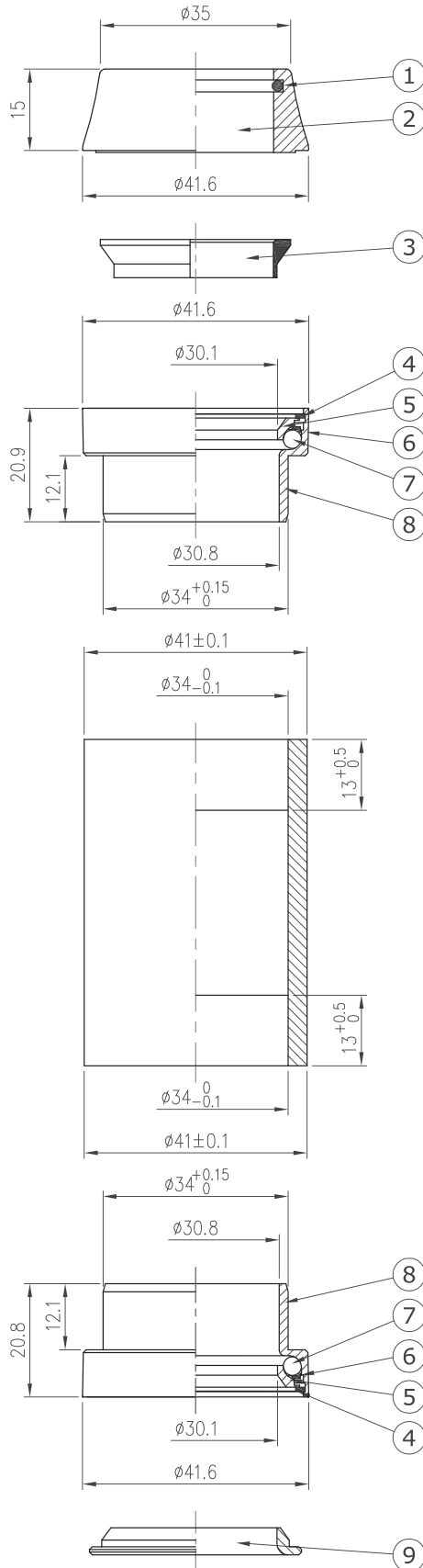


Intellaset Headset

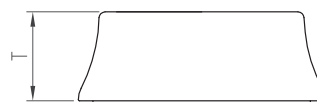
Intellaset ST

NO.28/41SC

1-1/8", Semi-cartridge bearing



Stack Height $24.5 + 10 = 34.5$



Custom cone spacer		
Item No	T	Stack Height
H2311A	10mm	29.5mm



Weight - 98.4 grams

- For 41mm OD head tube
- 1-1/8" steerer
- Alloy top cover
- Steel cups with integrated semi-cartridge bearing

No	Item No	Material	Qty
9	H6018{B-53-6}	Steel	1PCS
8	H4130{NO.28/41SC-4-5}	Steel	2PCS
7	MR048{Φ1/8"}	Chrome steel	50PCS
6	MR081{Φ1/8"x25}	Steel	2PCS
5	H7044	CrMo	2PCS
4	MS229{NO.28SC/41}	POM	2PCS
3	H2036{NO.5-2}	Nylon	1PCS
2	H2311B{NO.28/41SC-2}	Alloy	1PCS
1	MS053{872}	Rubber	1PCS

