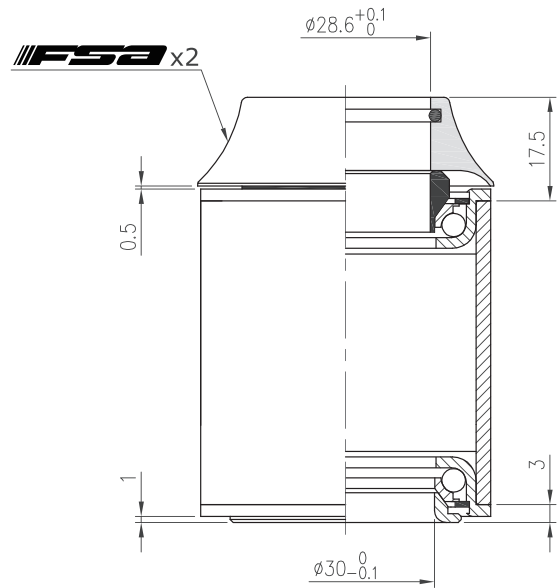
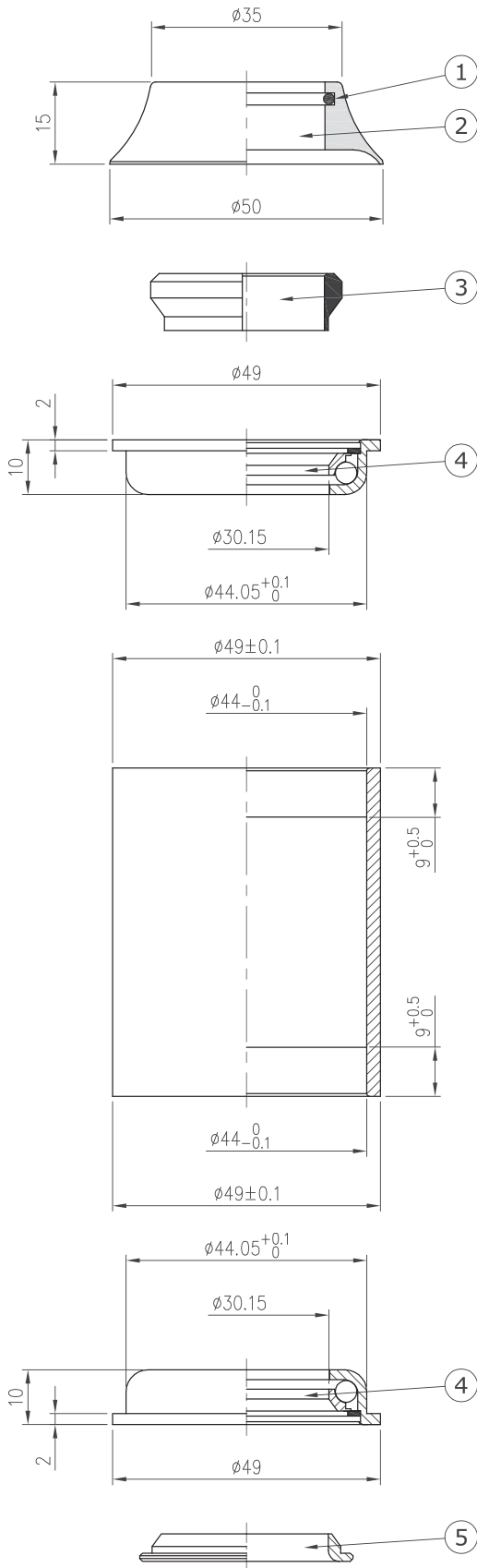


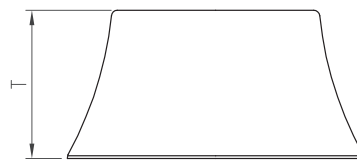
# Internal Headset

## NO.11P

1-1/8", Semi-cartridge bearing  
Plastic top cover



Stack Height  $17.5+3=20.5$



Custom cone spacer		
Item No	T	Stack Height
H2246B	25mm	30.5mm



Weight - 106.8 grams

- For 49mm OD head tube
- 1-1/8" steerer
- Plastic top cover
- Chromoly cups with integrated semi-cartridge bearing

No	Item No	Material	Qty
⑤	H6018{B-53-6}	Steel	1PCS
④	MR083{NO.11Q}	Chrome steel	2SETS
③	H2249{NO.11P-2}	Nylon	1PCS
②	H2246A{NO.10P/11P-2}	Nylon	1PCS
①	MS053{872}	Rubber	1PCS

